

Model YR451
Water Bath

Instruction Manual

Thank you very much for purchasing our Water Bath YR451.

Please read the “Operating Instructions” and “Warranty” before operating this unit to assure proper operation. After reading these documents, be sure to store them securely together with the “Warranty” at a hand place for future reference.



Warning: Before operating the unit, be sure to read carefully and fully understand important warnings in the operating instructions.



OUR SERVICES

Benefits and Support

In Kalstein France, we take care of the full satisfaction of our customers, that is why we provide value-added services of the highest level based on our experience.



Online Inductions and Trainings

In any part of the world, receive your induction or training from our specialized team of engineers



Quick Response

Our work team is always available to response all your consults or questions, in order to support you in any situation.



#Letsgivemore

Thanks to your purchase, a donation will be made to a non-profit foundation that fights against breast cancer and helps most vulnerable communities.



Technical Support

Enjoy of personalized advice for the correct preventive and corrective maintenance of your equipment, thanks to Kalstein's manuals and articles, special catalogues and video tutorials.



Delivery Logistics

We take care of all the necessary logistics for the dispatch of your goods, whether is by sea, land or air.



Kalstein Worldwide

With more than 25 years growing with our customers, Kalstein's multiformat and modern content, is now present in more than 10 countries and increasing.





CONTENTS

1、 Contents.....	1
2、 Features.....	2
3、 Specification.....	2
4、 Structure drawing.....	2-3
5、 Keypad and function.....	3
6、 Box opening and installation.....	4
7、 Functions of the key.....	4-5
8、 Operation.....	5
9、 Attentions.....	6
10、 Maintenance.....	6
11、 Transportation and storage.....	6



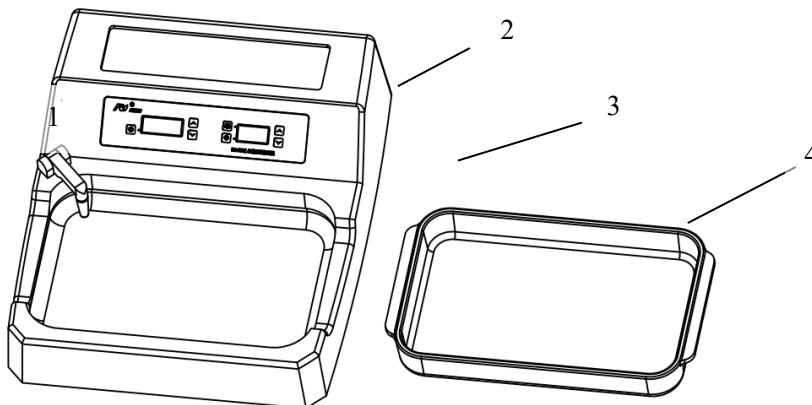
2. Features

1. The best stable digital screen, indicator light to show working state, easy to operate
2. The odd controlling-microprocessor from American Corporation has used to make it easy to control and meet the greatest degree of different customer's needs.
3. Four lights at the sideway and glass bowl are new features which is easy and clean to see the slide.
4. Use the new heating components with prompt heating efficiency, long time life, good thermal conduction performance, homogeneous heating, energy saving, reliable quality and PID controlling heating method
5. The temperature survey integrated block from American DALLAS Corporation has been used to make it precise in temperature survey and credible in performance
6. Real time display all figures of setting temperature, work temperature and work state
7. Memory function and recovery function.

3. Specification

1. Temperature setting range: 0 - 85°C
2. Temperature tolerance: + 1°C
3. Working voltage: AC220V 50HZ / AC110V 60HZ
4. Power: 400 VA
5. Fuse: F6A L 250AC
6. Dimension for glass bowl: 350mm×220mm×45mm
7. Overall dimension: 410mm×510mm×150mm
8. Weight: 9.5 kg

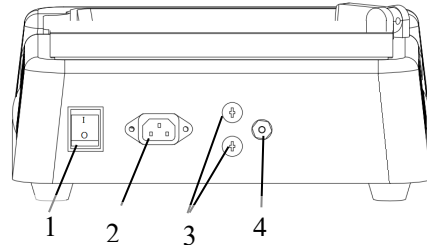
4. Structure drawing





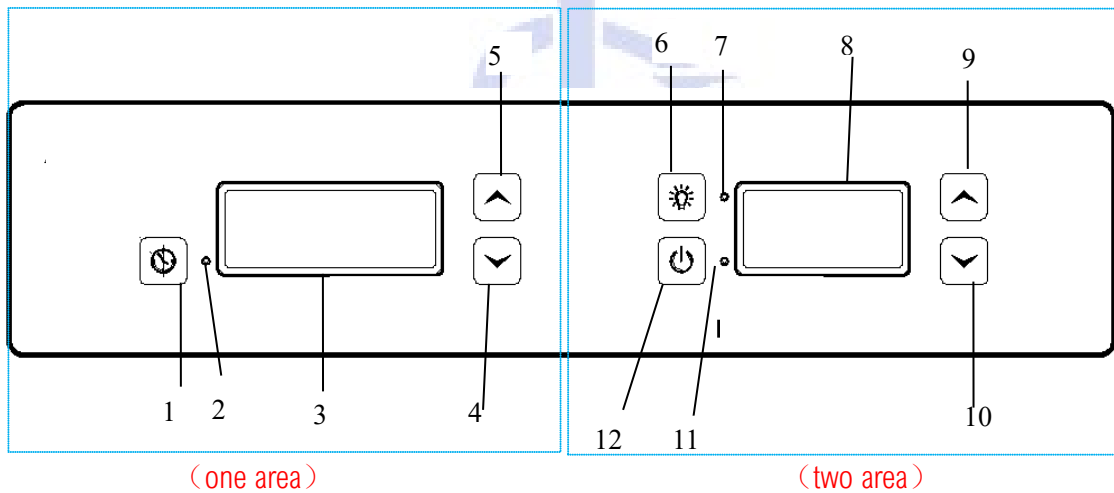
1. temperature sensor 2. house 3. keyboard 4. glass bath

(picture 2) back



- 1、 switch 2、 plug 3、 fuse (2pcs) 4、 Grounding insertion

5、 Keyboard and function



(One area) set the time and brightness

- 1、 Time setting 2、 Light for setting time
3、 Screen for showing time 4、 Down 5、 Up

(two area) temperature set and lighting set

- 6、 Light key 7、 Lighting lamp
8、 Screen for showing temperature
9、 Up 10、 Down 11、 Light for heating state
12、 On/Off for heating temperature



6. Box opening and installation

- Please check out whether the package is damaged seriously, if it is damaged seriously, do not open and immediately contact to the Transporters.

- Unpack the wooden carton taking out all components and the Instruction manual.
- Carefully move the instrument (including the enclosure), if the instrument needs to be transported again, we suggest using the original packaging materials.

- Take out the unit using the two black securing straps, put the instrument on the stable platform in the lab.

△, ! Don't put the instrument near any explosive or flammable materials.

- The instrument should be installed in a place that has a grounding socket, so that the power supply line can safely be connected to the socket.

7. Functions of the key

(One area): set the current time and the lighting of screen

- 1.set current time: long press (key 1) to get to adjusting state; the light flashing, press (key 4) or (key 5) to increase or reduce the hour; Hour set finished, press (key 1) again to set minute. press (key 4) or (key 5) to increase or reduce the minute; The minute set finished, short press (key 1) to keep the set.

- 2. Time set light: when the light flashing, showing the time is being set.

- 3.ime showing screen: show the current time.

- 4. Down key: Out of the time setting station, press it can adjust down the brightness.

- 5. Up key: Out of the time setting station, press it can adjust up the brightness

(two area): set flattop temperature and lighting lightness

- 6. Lighting key: short press can turn on/off the light. When the lamp is lighting, long press this key and the light will flash, and the screen (8) will show the lightness value. Short press (key 9) or (key 10) could set the lightness value. Finally, short press this key, the setting will be kept.

- 7. Luminance set light: When the light flashes, it shows the Luminance is being set.

- 8. Screen showing temperature: Show the temperature. Long press the (key 6) to show the luminance value.

- 9. Temperature up: Long press the key to show the setting temperature. Continued short press to add the temperature.

- 10. Temperature down: Long press the key to show the true temperature of the bottom of the bath. Continued short press to reduce the temperature.



- 11. Heating temperature light: In the state of setting temperature, the light flashes. When the temperature sensor is out of the bath, there will be alarm sound after three minutes. When the machine works normally, the light will be lighting.

- 12. Temperature on/off: short press can turn on/off the machine.

8. Attention

- After receiving the machine, please open the package to examine the outer appearance, check the components, and read the instructions carefully before starting and operating the machine.

- In order to ensure the security of people and the equipment, a three-line power source is needed, make sure that the grounding works well. Non-grounding power is prohibited with this machine.

- The equipment must be away from the flammable chemicals and high heat areas.

- Do not allow any hard materials to touch the LCD screen as it can crack and not function.

- When the instrument is heating, you shouldn't touch any heated area with your hand.

- Please turn off the main switch and pull out the power socket first before you change any fuse, the model and the specifications of the changed fuse must be the same as the one used before.

- Xylene and acetone and other organic solvents should not be used to clean the surface of the equipment.

- When you clean the equipment, you must turn off the main power first and pull out the power socket.

- The equipment must be cleaned every day.

- If you don't use the equipment for a long time, you should pull out the power socket, and then install a dustproof cover.

9. Maintenance

- In the conditions that the customer should comply with the rules of this user guide, we will provide a one-year warranty time period. One year later, we will supply continuing Maintenance Service for a fee.

10.1 Fault recognize

Fault	Cause	Elimination
No response as powers on	Powerline not	Connect power line, turn on again



	connected	
No response as power on	Switch isn't turned on	Press the switch, indicator light is on
No response as power on	Fuse isn't connected well or burnt	Check if fuse is good or not, change with another
TRAY HEAT indicator is off when works	Magnetic on/off switch dislocation	Adjust the position of Magnetic on/off switch
TRAY HEAT indicator is on but do not heat	Heater is damaged	Ask for technical support
TRAY HEAT indicator is on but do not heat	Temperature sensor not detecting	Ask for technical support
TRAY HEAT indicator is on but do not heat	Temperature sensor is damaged	Ask for technical support

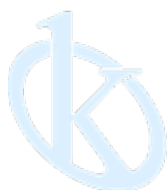
10.2 Cleaning

Before you clean the equipment, please turn off the power switch and pull out the power socket first.

- Only the cleaner for home use can be used for cleaning the instrument.
- Acetone and benzene will damage the paint on the surface of the instrument.
- Leakage of any cleaning liquid is not allowed into the instrument.
- Use damp fabric to clean the equipment, but don't use very wet fabric to clean it.
- After operation every day, you should clean the equipment.

11. Transportation and storage

- Storage: This instrument should be stored in clean and ventilated room whose Humidity should less than 80%
- Transportation: "Handle with care", "avoid wetting", and "place upward".



All rights reserved © KALSTEIN France S. A. S.,
 Optimum Business Center 450 Rue Baden Powell,
 • 34000 Montpellier, France.
 Tlf: +33 467158849 / +33 680760710/ +33 663810023
<https://kalstein.eu>
KALSTEIN FRANCE, S. A. S

