

Cooling System

YR440A

# Instruction Manual

Thank you very much for purchasing our Cooling System YR440A.

Please read the "Operating Instructions" and "Warranty" before operating this unit to assure proper operation. After reading these documents, be sure to store them securely together with the "Warranty" at a hand place for future reference.



**Warning:** Before operating the unit, be sure to read carefully and fully understand important warnings in the operating instructions.

## Content

I. Important illustration.....	1
II. Catalogue.....	2
<b>III. Safety Regulations of Instrument.....</b>	<b>3</b>
<b>IV. Main technical parameters.....</b>	<b>3</b>
<b>V. Brief.....</b>	<b>3</b>
<b>VI. Sketch of the instrument.....</b>	<b>4</b>
<b>VII. Box opening and instrument mounting.....</b>	<b>5</b>
<b>VIII. Startup.....</b>	<b>5</b>
<b>IX. Usage and steps of operation .....</b>	<b>5</b>
<b>X. Caution in usage.....</b>	<b>5</b>
<b>XI. Maintenance.....</b>	<b>6</b>
<b>XII. Transport and storage.....</b>	<b>6</b>
<b>XIV. Appendix.....</b>	<b>7</b>

## 1. Important Illustration

The information, data, points for attention and adjustments in the manual have reflected the latest technological level of us grasped in the field after investigations.

We don't have obligations of updating the manual for you in time, with the development of technology, and we don't offer new version copies and latest versions of the manual to the users.

We don't have the responsibilities if the illustrations, drawings and technological requirements in the manual are in contradiction to the laws of the country the user is domiciled. Particularly, our company don't have the responsibilities for the damages or destructions of the machine for applying with the illustrations in the manual (on other aspects).

The illustrations, drawings and technological requirements in the manual don't represent the guaranty from the company on the characteristics of the product. Only the items specified in the contract are legally effective.

Kalstein France S.A.S is entitled with the rights of altering the technological characteristics and processing technics, without the obligations of notification in advance. Thus, in this way we can improve ourselves and make the progress on our technology.

This manual is protected by property rights. The property rights of the manual are reserved by Kalstein France S.A.S. Printing, duplication, micrography or copy of other electronic documents or other media concerning partial or entire texts and photos of the manual must be approved by Kalstein France S.A.S in written form in advance.

Please refer to the nameplate on the back of the instrument for the serial number and manufacturing date of the instrument.



(Item no: YR440A)

## 3. Safety Regulations of Instrument

### 3.1 Safety Mechanism



⚠ Make sure if the grounding wire of the 3-line power is securely connected or not before starting the machine, which must comply with the GB9706.1-1995 standard, please must be very cautious, for the edge is very sharp, serious injury will be caused by wrong operations, it's prohibited from touching the falling blade with hand under any circumstances!

- An independent power shall be supplied for the machine, so that the power cable shall not be touched.
- The operation of the machine shall be performed in a place far away from the electromagnetic interferences.
- *the machine should be placed steadily, without any vibration when operation.*
- *refrigeration should be done once starting up.*

**Attention:** *don't work under blasting fan once starting up, or result is terrible.*

⚠ you mustn't change the fuse with another one unless you shut off the power, and the fuse has the same specifications and model indicated (you can refer to technical norms).

Transport

- keep the machine upwards on transportation
- pls shut off the power before cleaning, and don't use detergent like acetone or benzene, any detergent mustn't flow into the instrument.
- pls comply strictly with safety regulations from manufacturers or laboratories.

**Maintenance**

- The instrument could only be repaired by the technicians authorized by our company.

#### 4. Main technical parameters

- Type of electric safety
- minimum temperature of cryo-table:  $\cong -20^{\circ}\text{C}$
- maximum area of cryo-table: 330×322 mm
- work voltage 110v  $\pm 10\%$ v 60hz $\pm 1$ hz
- power draw  $\cong 150$ va
- fuse: f1a/ac250v
- dimension: 652 x380 x425mm (lxwxh)
- weight: 18.0kg

#### 5. Brief

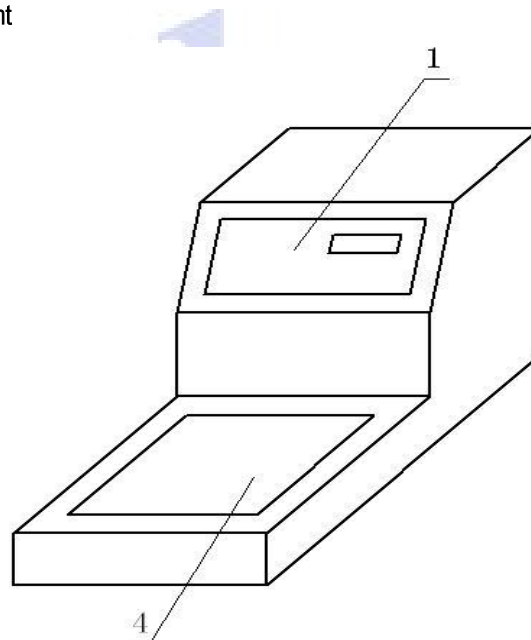
5.1 The model YR440A Tissue Cooling Plate is the regular instruments used to cooling pathological tissue cassette. It is used to cool the tissues of human body or the zoological and botanical tissues after dehydration and paraffin soaked. The advanced controlling-microprocessor and the new temperature sensing system have been applied to this machine. With novelty in form, precise in structure, this machine can be combined with any other embedding system.

This machine is advanced both abroad and at home. It is the practical and necessary instrument for pathological

study and teaching for hospitals, medical schools, scientific research institutes and food quarantine and inspection organizations.

- The odd controlling-microprocessor from American ATMEL Corporation has been used to make it easy to set up temperature and the shining tube has been used to display the temperature so that we can clearly know that it is in the working state.
- The temperature survey integration block from American DALLAS Corporation has been used to make it precise in temperature survey and credible in performance.
- . The lowest temperature of the Cooling platform can be - 20°C minimum, and the delay protection has been provided with.

#### 6. Sketch of the instrument



1、 display screen

4、 cryo-table (sketch of YR440A)

#### 7.Box opening and instrument mounting

- Check whether the machine was damaged and contact with your shipping agent when any damage is found.
- Firstly, open package carton, then take out operation manual and accessories.
- Carry the instrument (together with protection cover), you're advised to use original packages as the instrument need to be transported safely
- Taking out protection cover, place the instrument on level lab table.
- △ the instrument mustn't be put in the place which is explosive and poisonous
- the machine should be mounted near to the grounding socket to connect the power line anytime

#### 8. Startup

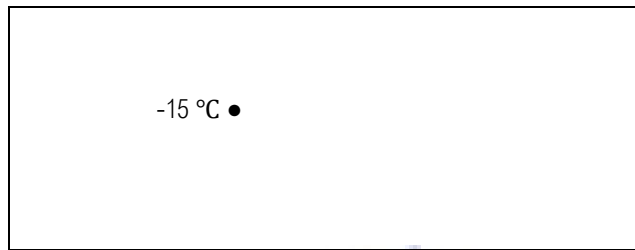


▲ Start the machine. Get through the power supply by connecting the power line of AC220V with the power socket on the rear panel, and press down the switch, the power has got through when the green light of the switch indicator is bright

### 9.Usage and steps of operation

- start the machine, then connect AC220V power line to back power socket,

When the model YR440A is power on, the LCD indicates like the following:



Press ▲ 、 ▼ button to adjust up/down of the temperature,

Then press on/off button, the screen light, and instrument begins to being cooled, it indicates as followed:



Under this situation, Cooling plate begins to work, screen indicates ✕; When the temperature of the cooling plate is lower than setting temperature, the screen will indicate it ●, and the cooling plate will stop work.

### 10.Caution in usage

- After getting the machine, please open the package to examine the outer appearance, check the appurtenances, and read the instruction carefully before starting and operating the machine.

- In order to ensure the security of people and the equipment, the three-line power source is needed, and make sure that the grounding works well. Non-grounding power is prohibited to this machine.

- In order to lengthen the service life of the Cooling compressor, the successive working time should be within 4 hours. And a more-than-five-minute gap is needed for restarting the machine after the power absence.

- the instrument mustn't be put in the place which is explosive and poisonous

- once it starts to work, don't touch the cooling section, to avoid making your fingers cold injury.



- switch off it before change with another fuse, then pull out power plug, and the fuse must be the same model and same spec.
- pls shut off the power before cleaning, and don't use detergent like acetone or benzene, any detergent mustn't flow into the instrument.
- keep cleaning the machine every day and keep it dry and clean.
- pull out the plug and cover the dust helmet.

### 11. Maintenance

●Under the condition of following the instructed operating regulations, we guarantee to keep our promise of free maintenance service within one year from the sales day. To those which have surpassed the period, we will also provide maintenance service according to the stipulations.

#### 11.1 possible problems and elimination

Problems	Causes	Elimination
It doesn't work as it's switched on	Power source can't be connected well	Connect the power source and re-try it
Same as above	Switch button isn't pressed	Switch on the button and it shows green light
Same as above	Fuse isn't connected yet	Check whether fuse is broken or change with another one.
No refrigeration	Compressor is broken	Call the technician to repair it
Temperature can't be lowered down	The fan generator can't work	Call the technician to repair it

#### 11.2 cleaning

- clean it before turning off the power, then pull out the plug.
- Use soft household detergent or soap lye to keep it clean
- don't use detergent like acetone or benzene, any detergent mustn't flow into the instrument.
- any liquid mustn't flow into the machine
- keep it clean, after one-day's work

### 12. Transport and storage

- This machine should be stored in the clean and airy indoor places with the relative humidity under 80% and be kept far from the caustic gas.
- Handle in care, avoid wetting, and place upward.

### 13. Appendix

#### ●Product Alteration

Kalstein France S.AS reserves the rights of altering the technological parameters of the product without notifying in advance, because the instruments required to face to the alteration and improvement for technological progress.

#### ●Warranty Period

Kalstein France S.A.S guarantees that all instruments manufactured by the company have been strictly and comprehensively checked on quality to guarantee the compliance with the technological standard.

The warranty conditions will be up to the KALSTEIN FRANCE S.AS sales agent responsible to you.

The warranty period is only valid for normal usage according to the specified conditions for the instrument and the circumstances of following the various regulations specified in the operational instruction manual.

Warranty terms are not applicable for the damages caused by misuse or improper operations of instrument and our company is not responsible for the above-mentioned damages either.

- Discard and Disposal

The discarded instrument or parts of instrument shall be disposed according to the existing relevant and effective laws and regulations.

We are pleased to offer you an environment-friendly disposal plan when you need to dispose the discarded the Cooling Plate.

- User's Service Information

Please contact the sales representative of KALSTEIN FRANCE S.A.S or the sales agent once sold the instrument to you if you require any service or parts during the warranty period. Please inform the instrument model, serial number and supply time. Kalstein France S.A.S doesn't accept any rejection of goods without any formal permission for rejection of goods.

Please pay attention to the following items if you will deliver the instrument back to KALSTEIN FRANCE S.A.S:

a. The instrument or parts shall be disinfected or radioactive elimination treatment before sending back if viruses or radioactive substances have related to the instrument or the parts. Our user's service technician will be assigned to check this out clearly.

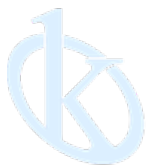
b. If you are sure that the instrument or parts are free from any radioactive or dangerous viruses, please get the suggestions on the possible methods for disinfection and radioactive elimination from your KALSTEIN FRANCE S.A.S representative. The instrument or parts will be directly sent back to the customer under the customer's expenses if possible infection dangers are still existed on the instrument or parts upon the arrival of the KALSTEIN FRANCE S.A.S representative.

Please tell us the following information if you require technical services:

Model and serial number.

The place where the instrument is located and the contact person.

Reasons for service request.



All rights reserved © KALSTEIN France S. A. S.,  
Optimum Business Center 450 Rue Baden Powell,  
• 34000 Montpellier, France.  
Tlf: +33 467158849 / +33 680760710/ +33 663810023  
<https://kalstein.eu>  
**KALSTEIN FRANCE, S. A. S**

