



Multi-function Electric Wheelchair

Model YROSE203

Instruction Manual

Thank you very much for purchasing our Kalstein's Multi-function Electric Wheelchair Model YROSE203.

Please read the "Operating Instructions" and "Warranty" before operating this unit to assure proper operation. After reading these documents, be sure to store them securely together with the "Warranty" at a hand place for future reference.



Warning: Before operating the unit, be sure to read carefully and fully understand important warnings in the operating instructions.



OUR SERVICES

Benefits and Support

In Kalstein France, we take care of the full satisfaction of our customers, that is why we provide value-added services of the highest level based on our experience.



Online Inductions and Trainings

In any part of the world, receive your induction or training from our specialized team of engineers



Quick Response

Our work team is always available to response all your consults or questions, in order to support you in any situation.



#Letsgivemore

Thanks to your purchase, a donation will be made to a non-profit foundation that fights against breast cancer and helps most vulnerable communities.



Technical Support

Enjoy of personalized advice for the correct preventive and corrective maintenance of your equipment, thanks to Kalstein's manuals and articles, special catalogues and video tutorials.



Delivery Logistics

We take care of all the necessary logistics for the dispatch of your goods, whether is by sea, land or air.



Kalstein Worldwide

With more than 25 years growing with our customers, Kalstein's multiformat and modern content, is now present in more than 10 countries and increasing.





Please read the following instructions carefully

1. Before you use this stairclimbing machine for the first time, please be sure to read this operation guide carefully and understand the specific meaning of each part in the user guide. Do not carry out exploratory operations without understanding, otherwise it may cause unnecessary damage to your body or car. If you have any questions or other requirements, please call the national hotline: Contact us.
2. The safe use of your products depends on your strict compliance with the warnings, precautions and operating instructions in this guide; The company shall not be liable for any injury or damage caused by any failure to comply with warnings, precautions and operating instructions.
3. Warm tips will run through the entire user guide, very important, please be sure to read carefully and deeply understand them, which will directly affect whether you can safely use the climbing machine in the future.

Directory

一、 Product use-----	1
一、 Configuration list of a single product-----	1
、 multi-function electric climbing machine main features -----	2
、 The main technical parameters and performance indexes of brand multi-function electric building climbing machine-----	-3
、 The basic structure of brand multi-function electric building climbing machine -----	4
、 Brand multi-function electric climbing machine use method -----	5
、 Folding method -----	10
、 Other Notes -----	11
、 Maintenance of common sense -----	11
、 after-sales -----	12



一、 Product use

This product is used for the elderly, the disabled and other people who cannot walk normally, especially suitable for walking up and down the building, road obstacles and other environment, is most of the elderly friends, disabled friends ideal walking tool.

二、 Configuration list of a single product

- ◆ Multifunctional electric stair climbing machine 1
- ◆ Charger 1
- ◆ User operation guide 1 copy
- ◆ One copy of warranty card
- ◆ 1 certificate of qualification
- ◆ A set of multifunctional tools

三. Multi-functional electric climbing machine main features

- 1、 Strong building climbing ability: In order to make the mobility scooter more powerful and stronger carrying capacity, the mobility scooter is equipped with a 24 volt, 20 amh power supply, which can continue to complete 500 steps (20 steps per floor, a total of 25 floors) after a single charge.
- 2、 Operator, simple and convenient operation, a smooth and comfortable: this climb building multi-function electric machine according to special crawler chassis, climbing not only makes the operator operating force is small, easy to control, small turning radius, so as to solve the ordinary climb building more wheeled electric locomotive wheel and stair plane instability problem of switch, and greatly reduced the occupants' rough, At the same time because of the use of spacious, soft material seats, backrest and other high-quality accessories, so that the ride is more stable and comfortable.
- 3、 Foldable, light and easy to carry: this multi-functional electric building climbing machine can be folded, is one of the lightest and smallest products of the same kind in the world, easy to carry, and can be used anytime and anywhere.
- 4、 a wide range of application, high-cost performance: the multi-functional electric climbing machine can meet. Stairs, across the barriers, and go out for a walk for pleasure, and can in residential buildings, hospitals, nursing homes and stations, a variety of situations, and climb building multi-function electric locomotive body adopts high-quality thickening steel material surface treatment of the lacquer that bake, corrosion resistance, abrasion resistance, long service



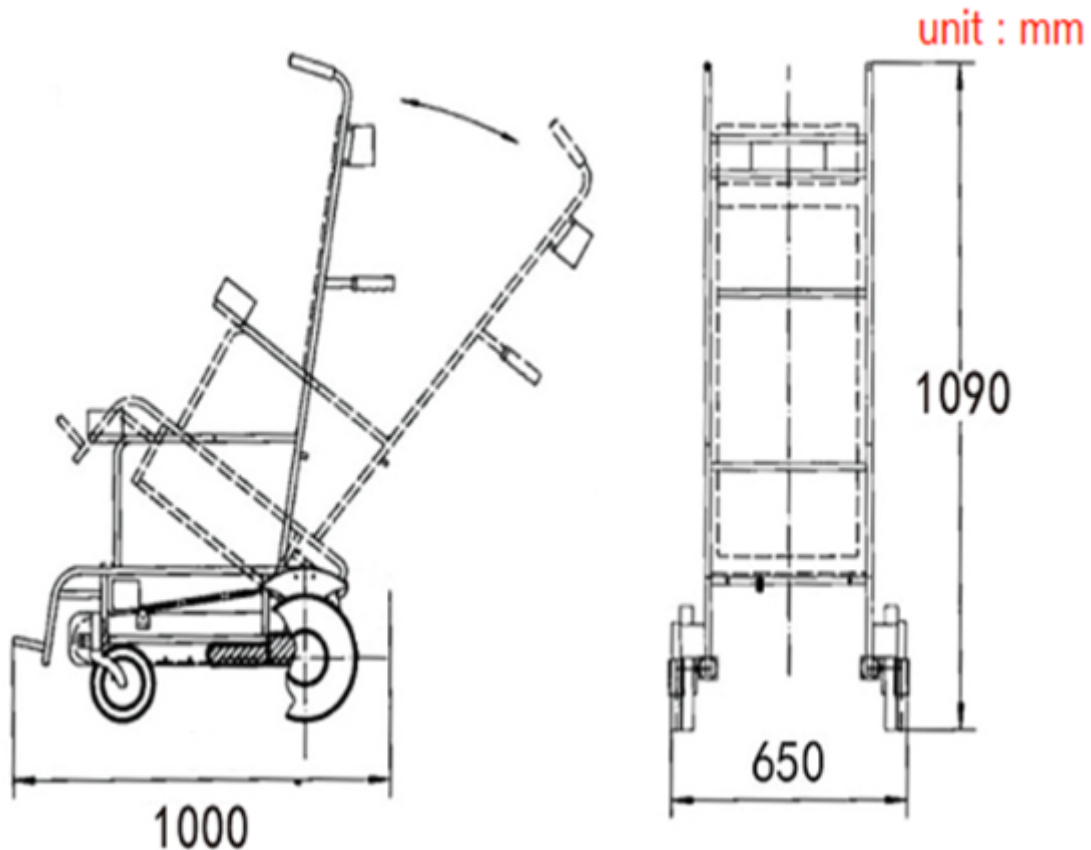
life, has the very high-cost performance.

Multi-functional electric building climbing machine main technical parameters and performance indicators.

、 The basic structure of "Kalstein " brand multi-function electric building climbing machine

Performance indicators	Parameter	Note
Overall dimensions Unit :(mm)	L (1002) W (680) H (1100)	Before folding
	L (930) W (680) H (580)	After folding
self-respect	About 55 kg	The vehicle weight
Maximum bearing weight	150 kg	
Climbing speed (step)	The average is 15 per minute	Do not adjust
Rate of descent (step)	The average is 15 per minute	Do not adjust
Charging time	6-10 hours	Continuous charging
Stair climbing ability (steps)	500 steps	
Control of motor speed	Do not adjust	
The battery	24 v lithium battery	20 ampere hours





(Figure 2)

、 "Kalstein" brand multi-function electric climbing machine use method

1、 charging

When you use this product, please be sure to be fully charged. The charger input is 220 VOLTS AC, and the output voltage is 24 volts DC. First plug the output plug of the charger into the charging jack at the battery end.

Then put the charger. On 220 v power supply, at this point, the charger indicator light shows red (said it was for the battery to charge), when the charger indicator light turns green, climb building that has enough battery machine, and then according to the order, the charger power off and pull out the plug of the charger and the battery socket.

Tips:

◆24 volt ampere hour 20 pieces of battery requires constant charge filled with six to eight hours, when the battery is too low, the charging time will be extended, could reach more than 8 hours to be full of, when the charger indicator light is green, you can continue to charge 1-2 hours and then disconnect the charger power supply, if the charging time is too long can damage cells.

◆ The charger will heat in the process of use, so when charging, try to provide a ventilation environment, and away from flammable and explosive items, the charger is connected to 220

VOLTS AC power, so non-professionals shall not open at will, cannot be used in a humid environment, and in rainy days to prevent lightning.

◆ The main switch of power supply and the direction switch of building climbing can be charged under the condition of on or off. If not used for a long time, it needs to be charged once a month.

2, go upstairs

Pull the multi-functional electric stairs climbing machine down in front of the stairs, so that the rear lower side walking wheels of both sides of the wheel set are close to the first step of the stairs (Figure 3).



(Figure 3)



(Figure 4)

- ① Help passengers to fasten their seat belts and adjust the car to the right of the stairs. The belt touches the first step of the stairs.
- (2) Turn the "lie and sit" switch to "lie" (FIG. 4) to make the body lean back to the appropriate position Angle (after the occupant feels comfortable), the Angle of the occupant when climbing a building, such as on flat ground.
- (3) Toggle the "upstairs" switch (FIG. 4) and press the button on the handle to start going upstairs.

Press the multi-function electric climbing machine to a comfortable Angle and keep the balance of multi-function electric climbing: building machine. Slowly press the handle, the motor starts, the multi-functional electric climbing machine starts to go upstairs.

Tips:

◆ When the up-down switch is not in use on the ground or multi-functional electric climbing machine, be sure to place the control switch in the middle of the stop position.

Appropriate Angle pieces here refers to the operator will climb building multi-function electric machine to pull up the most beautiful Angle, generally with the horizontal plane into 50° to 60° , keep as far as possible when operating this Angle, this Angle is to make the operator the most energy saving point of view, but because of the operator height and arm length is different, the best Angle according to the operator can adjust lying by the switch to the best place.

3, turn

When the center of the car is over the last step, release the handle switch, slowly press down on the body, the chassis flat on the ground.

Lay down to sit the switch to dial "sit", after waiting for the car body to restore sitting position, the electric car adjusts the next stair place to repeat the above movements can complete the process of climbing a building.

Tips: on the platform of the stairs, if this product is difficult to turn, you can knead and push

this product several times until you can pull back smoothly to the next layer of stairs.

4. Temporary breaks

When the operator needs to take a temporary rest on some steps of the floor for special reasons, he can follow the following steps: When the chassis is fully covered and the three steps are pressed, release the button, that is, the motor stops turning, and the car stops (FIG. 5).



(Figure 5)

5, come downstairs

Help passengers fasten their seat belts and push the car to the center of the landing. Turn the switch of "lying and sitting" to "lying" (FIG. 4). After the car body tilts, turn it.

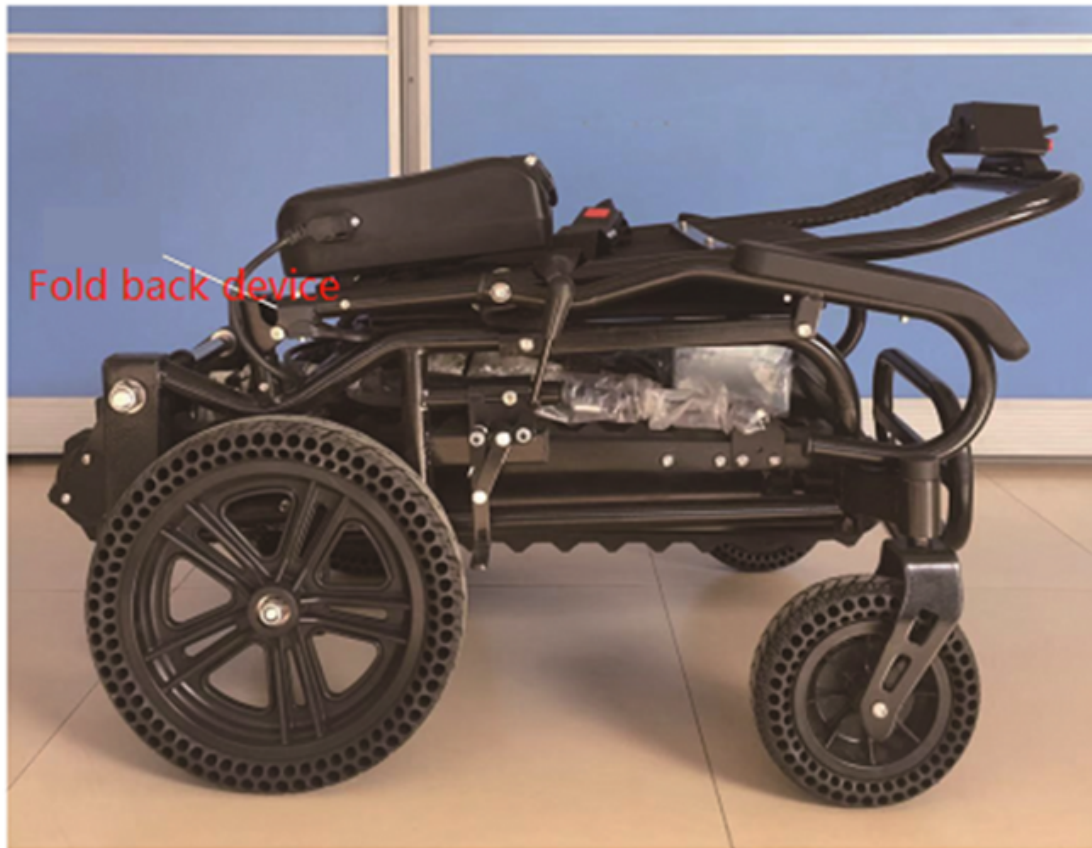
Move up and down the floor switch to "downstairs" (Figure 4) and then move the handle button so that the chassis center of the car slowly over the first step at the corner of the water when the stop, slowly lift the car body, so that the chassis of the car and stair slope contact.

Press handle switch to begin to go downstairs, when chassis crosses the last step release switch to stop go downstairs, next toggle "lie sit" switch points to "sit", after waiting for car body to restore sitting position, electric adjust car to next stair place, repeat above action to complete go downstairs process.

Tips: In the process of downstairs, the operator should put his hands flat on the two control handles to make the car go down smoothly. In case of emergency, please pull the up and down switch to the middle space.

Seven, folding method.

Press the bottom of the back of the chair on the back breaker and fold it down (Figure 6).



(Figure 6)

Other matters needing attention.

Before using this product, the operator must carefully read this user guide, first empty train practice, skilled operation of the product after the functions of manned upstairs and downstairs, beginners had better be nursing and help.

If the battery is low, charge it in time. When charging, follow the charging regulations described above.

Do not disassemble the product at will, and do not change the parts at will, which may cause electric shock or damage to the parts, will not get after-sales service. This product is not suitable for the rescue of dangerous patients.

Nine, maintenance of common sense

1. Replace the crawler.

This product has a total of 2 tracks, the tracks are like the tires of a car, on different stairs or roadblocks. Driving on will have different degrees of wear, which directly affects the service life of the crawler. When replacing the crawler, it is necessary to remove the connecting shaft bolts between the chassis and the frame and the hydraulic rod fixing bolts, completely loosen the tightening screws of the crawler, and remove the crawler that



needs to be replaced and replace the new crawler below.

2. Replace the battery.

This product uses lithium battery, users only need to screw out the fixed battery knob, you can take out the battery, the battery needs to be replaced.

Warm tips: when the new battery wiring, the positive and negative poles should not be wrong! Otherwise, it will burn Battery or other electrical components. For the safety of you and your family, please check and tighten the tightness of the screws regularly.

Ten, after-sale

To better protect your rights and interests, please pay attention to the following matters before purchasing this product:

1, the repair services provided in the first year: this product because of quality problems affect use, within one year from the date of purchase to the company for free maintenance, insurance have buyers bear the freight back and forth, warranty, not according to the instructions or the user's own correct disassembly or repair is not be warranty, if you need repair, will charge the cost.

2, provide lifelong maintenance service: this product is a lifelong maintenance service, any beyond the warranty period or human damage or normal wear and tear of the consumption of parts caused by non-package products, material costs, round-trip freight insurance will be borne by the buyer.

3. Batteries and crawlers are consumables, which are not within the scope of free warranty. If they need to be repaired or replaced, cost and freight will be charged.
4. When the warranty expires, if the purchase certificate is altered, it is not covered by the warranty, and the purchase certificate will not be replaced if lost.

Special Attention

1, cannot be charged indoors, charging needs to be checked regularly.

2. The operator needs to be familiar with the operation steps and precautions of the car when operating the climbing car downstairs. Unskilled personnel are forbidden to operate, or any situation will be borne by the operator.

Help more elderly, disabled people out of the house, breathe a breath of fresh air, bathed in the afternoon after the sun, is our eternal dream!