



## **BACTI-CINERATOR STERILIZER**

YR06058, YR05323 User Manual



Thank you very much for purchasing our Bacti-cinerator Sterilizer YR05323.

Please read the "Operating Instructions" and "Warranty" before operating this unit to assure proper operation. After reading these documents, be sure to store them securely together with the "Warranty" at a hand place for future reference.



**Warning:** Before operating the unit, be sure to read carefully and fully understand important warnings in the operating instructions.



OUR SERVICES

## Benefits and Support

In Kalstein France, we take care of the full satisfaction of our customers, that is why we provide value-added services of the highest level based on our experience.



### Online Inductions and Trainings

In any part of the world, receive your induction or training from our specialized team of engineers



### Quick Response

Our work team is always available to response all your consults or questions, in order to support you in any situation.



### #Letsgivemore

Thanks to your purchase, a donation will be made to a non-profit foundation that fights against breast cancer and helps most vulnerable communities.



### Technical Support

Enjoy of personalized advice for the correct preventive and corrective maintenance of your equipment, thanks to Kalstein's manuals and articles, special catalogues and video tutorials.



### Delivery Logistics

We take care of all the necessary logistics for the dispatch of your goods, whether is by sea, land or air.



### Kalstein Worldwide

With more than 25 years growing with our customers, Kalstein's multiformat and modern content, is now present in more than 10 countries and increasing.





## General Information

Thank you for purchasing our Product.  
This Manual for users contains function and operation of the Instrument.  
In order to use the instrument properly, please read this manual carefully  
before operation.

Please check the instrument and accessories with the packing list at the  
first time you open the instrument packing case.





### What This Warranty Covers

This warranty only applies to the original purchaser of the product and is non-transferable. If any issues should arise due to manufacture's defects, this warranty covers:

Within the first six mouths of purchase, free exchange products due to manufacturer's defects. (Not including a shipping fee)

Within the first one year of purchase, free repairs and parts replacement due to manufacturer's defects. (Not including the shipping fee)

### What Is NOT Covered

This warranty is non-transferable and does not cover: Cosmetic damages, Damage due to nature, accident, misuse, negligence, commercial use, or modification of, or to any part of the product, Damage due to improper use, installation, operation, or maintenance.



## Contents

1.Introduct.....	1
1.1 The Structure.....	1
2. The Parameters.....	2
3. Operation Guide.....	3
4. The Maintenance .....	4
5. Safety and Warnings .....	5
6. Packing List.....	5
7.Note.....	7

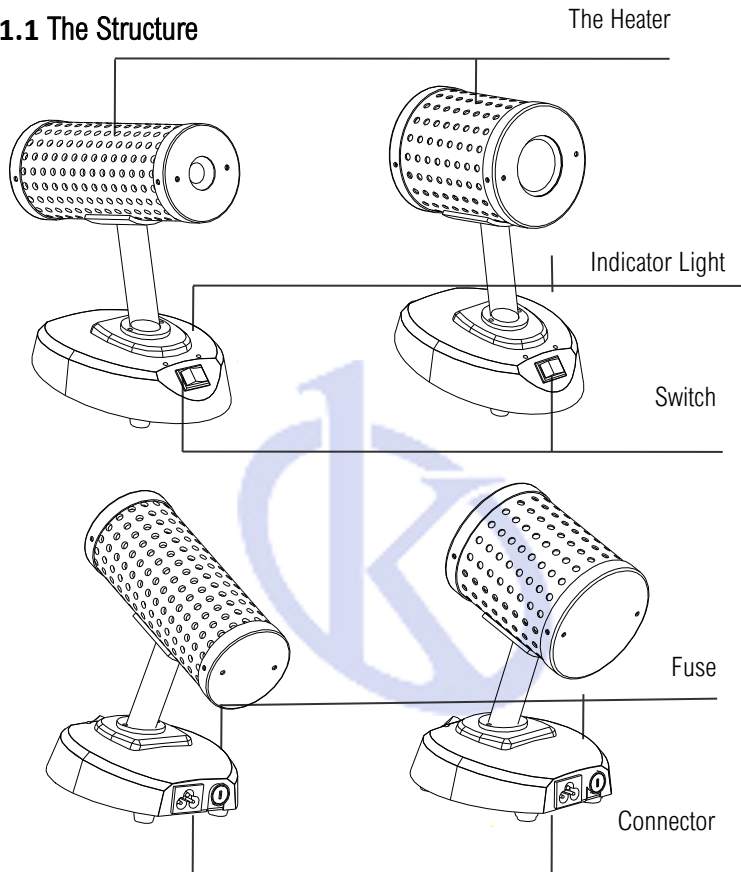


### 1. Introduction

Bacti-cinerator Sterilizer is widely used in the environment of biological safety cabinets, purification worktables, suction fans, mobile vehicles, etc. for incineration and disinfection of small items such as inoculation rings and inoculation needles.

It completely replaces alcohol lamps and Bunsen burners. It is easy to use, simple to operate and the sterilization only takes 5 to 7 seconds. The organic matter is ashed in the depths of the ceramic funnel to prevent contagious splashing and cross-contamination.

#### 1.1 The Structure



### Performance Test

<b>Item</b>	Bacti-cinerator Sterilizer	<b>Model</b>	<input type="checkbox"/> YR06058 <input type="checkbox"/> YR05323	
<b>Date</b>		<b>Serial No.</b>	YN-M02-766	
<b>No.</b>	<b>Content</b>	<b>Methods</b>	<b>Standards</b>	<b>Results</b>
1	Heating Rate	Calculagraph	≤30min(room temp. to max. temp.)	<input type="checkbox"/> Qualified
2	The Center High-temperature	Thermocouple thermometer	800 ± 50	<input type="checkbox"/> Qualified
3	Temperature when standby	Thermocouple thermometer	400 ± 50	<input type="checkbox"/> Qualified
4	Basic Function	Visual check	Valid	<input type="checkbox"/> Qualified
5	Appearance	Visual check	Pass	<input type="checkbox"/> Qualified
6	Label	Visual check	Pass	<input type="checkbox"/> Qualified
7	High Voltage Test	High Voltage Detector	Tested under 50Hz、1500V	<input type="checkbox"/> Qualified
8	Floor Leak Current	Leakage Current Tester	≤0.75mA	<input type="checkbox"/> Qualified
9	Resistance	Ground Resistance Tester	≤100mW	<input type="checkbox"/> Qualified
10	Continuous Running Test	Visual check	36 hours without failure	<input type="checkbox"/> Qualified
Result				
Remarks:				
QC:	Confirmer:			



### 5. Safety and Warnings



Only trained personnel can operate the instrument.  
The users should not open or repair the Instrument by himself, which will result in losing warranty.



A.C. power's grounding should be reliable to safeguard against an electric shock.



During the normal operation, the temperature of heater is very high. Therefore strictly prohibit any part of the body to touch the Instrument from scald.

### 6. Packing List

No.	Item	Model/Type	Quantity	Confirm
1	Main Device	<input type="checkbox"/> YR06058 <input type="checkbox"/> YR05323	1	
2	Fuse		2	
3	QC PASS Card		1	
4	Performance Test		1	
5	Manual		1	
QC:		Date:		

### 2. The Parameters

Type	Parameter	YR06058	YR05323
The Center	High-temperature	800°C ± 50°C	
	Temperature when standby	400°C ± 50°C	
	Heater Head Angle	21°	
	Max. Item Diameter	φ14mm	φ35mm
	Length	150mm	100mm
	Power	200W	400W
	weight	1.3Kg	1.4Kg
	Dimension(L×W×H) (mm)	152×105×200	140×105×200



### 3. Operation Guide

3.1 Place the instrument on the worktable smoothly. Pay attention to the place where there are no flammable and explosive objects.

3.2 Turn the switch to "OFF", connect the power cord to supply.

3.3 When switch to **High** temperature, the red light on and it start to heat up to  $800^{\circ}\text{C} \pm 50^{\circ}\text{C}$  within 15min. When switch to **Low** temperature, the green light on and the temperature start to go down to  $400^{\circ}\text{C} \pm 50^{\circ}\text{C}$ .

**Note: Don't keep instrument at high temperature  $800^{\circ}\text{C} \pm 50^{\circ}\text{C}$  for more than 3 hours. Turn it to Low or Off after 3 hour high temperature working.**

3.4 Complete sterilization occurs within 5-7 seconds at optimum sterilizing temperature of  $800^{\circ}\text{C} \pm 50^{\circ}\text{C}$ . Glass microbial tubes with a diameter of less than 14mm can also be sterilized. It should be without liquid or other objects in the tube to avoid dangerous accidents such as liquid spillage or explosion.

3.5 The voltage is preferably controlled between AC210-230V. Especially when the voltage exceeds 230V, please stop using the instrument. Otherwise, the temperature is too high which leads to shorter lifetime.

### 4.The Maintenance

4.1 Only use inoculation rings with insulated handles, inoculation needles and other non-sharp objects to sterilize.

4.2 The sterilizers are not suitable for scalpels, tweezers and other sharply shaped items. They can damage the instrument and shorten the life of the instrument.

4.3 The inner surface of the heater must be checked regularly to see if there are any small cracks. In case of crack, the heater must be replaced.

4.4 Do not sterilize the ring or needle for a long time. The temperature of inoculation ring or needle is too high for scald operator. Long time heating may manage vaccination needle and ring.

4.5 When the voltage is too high, please stop using the instrument.