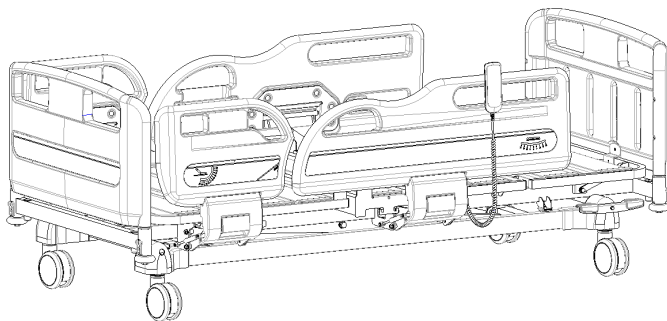


Model YR68c

Electric Hospital Bed

## Instruction Manual



Thank you very much for purchasing our Electrical Hospital Bed YR68c.

Please read the “Operating Instructions” and “Warranty” before operating this unit to assure proper operation. After reading these documents, be sure to store them securely together with the “Warranty” at a hand place for future reference.



**Warning:** Before operating the unit, be sure to read carefully and fully understand important warnings in the operating instructions.



OUR SERVICES

## Benefits and Support

In Kalstein France, we take care of the full satisfaction of our customers, that is why we provide value-added services of the highest level based on our experience.



### Online Inductions and Trainings

In any part of the world, receive your induction or training from our specialized team of engineers



### Quick Response

Our work team is always available to response all your consults or questions, in order to support you in any situation.



### #Letsgivemore ♥

Thanks to your purchase, a donation will be made to a non-profit foundation that fights against breast cancer and helps most vulnerable communities.



### Technical Support

Enjoy of personalized advice for the correct preventive and corrective maintenance of your equipment, thanks to Kalstein's manuals and articles, special catalogues and video tutorials.



### Delivery Logistics

We take care of all the necessary logistics for the dispatch of your goods, whether is by sea, land or air.



### Kalstein Worldwide

With more than 25 years growing with our customers, Kalstein's multiformat and modern content, is now present in more than 10 countries and increasing.





# Contents

Manual introduction.....	2
<u>1.</u> Installing guide .....	3
1.1 List of standard accessories.....	2
1.2 Bumper wheel installation.....	5
1.3 Head board & foot board assembly method.....	6
1.4 IV pole installation .....	7
<u>2.</u> Use method .....	8
2.1 Use method of casters.....	9
2.2 Use method of guardrails .....	10
2.3 CPR quick release function.....	11
2.4 Use method of plastic IV pole.....	12
2.5 Use method of drainage hook .....	13
2.6 Use method of hand controller.....	14
<u>3.</u> Spare part replacement and maintenance .....	15
<u>3.1</u> Remove and replacement of casters .....	15
<u>3.2</u> Remove and replacement of guardrails.....	16
<u>3.3</u> Remove and replacement of gas spring on rail .....	17
<u>3.4</u> Replacement and maintenance of motors.....	18
<u>4.</u> Faults exclusion .....	19
<u>5.</u> Bed-maintenance.....	19
6. Bed-cleaning.....	21
<u>7.</u> Mattress-cleaning and maintenance.....	21
<u>8.</u> Caster-detection and maintenance.....	22
<u>9.</u> Guardrail-maintenance .....	23
10.Spare part list.....	23



<a href="#">11. Packaging, transport, storage.....</a>	<a href="#">26</a>
<a href="#">12. After-sales service .....</a>	<a href="#">27</a>



## Manual Introduction

Hospital beds are essential equipment for the well-being, treatment and recovery of bedridden patients. Hospital beds allow patients to remain in more comfortable positions as well as in positions sometimes recommended by doctors, which would be very difficult in a normal bed, where one would always have to be placing or removing supports. Hospital beds can be manual or automatic. The automatic hospital bed has its functions controlled by buttons on the side panels of the bed or via remote control. The manual hospital bed has 2 movements triggered by cranks, having the elevation of the headboard, which facilitates the moment of feeding, also avoiding refluxes and facilitating breathing and also has elevation of the part of the feet that will cause it to improve the blood circulation of the lower limbs, in view of the long period that the patient will spend lying down. On the other hand, patient safety is very important at this time of recovery, so all of our beds have a side protection rails, preventing the patient from going at night and running risks of falling.

### Note:

**Please carefully read this manual and strictly follow the steps before installing and using. We require all users to have the knowledge of user's manual and all the cautions.**

- ▶ This manual is applicable to YR68c electric hospital bed. It contains the installation method, operating instructions and maintenance check points.
- ▶ The graphics in this manual are for users' reference only. In actual use, please refer to the real object.
- ▶ This user manual includes the description, instruction, maintenance and technical parameters of the product.
- ▶ Any questions, please contact the after-sale service center or distributor.
- ▶ Anyone using or operating this product should read and comply with it.
- ▶ Except for some unexpected situations, users are required to be familiar with the usage and precautions.



## 1. Installing guide

### 1.1 List of standard accessories

After opening the packing case, please check whether the following parts are complete in the packing case:

Table a:

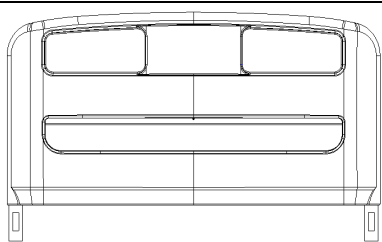
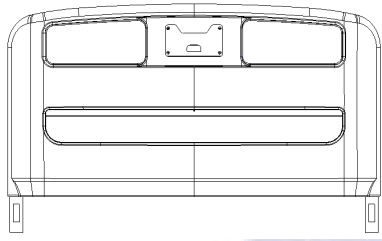
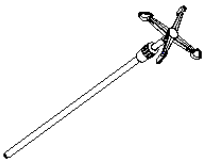
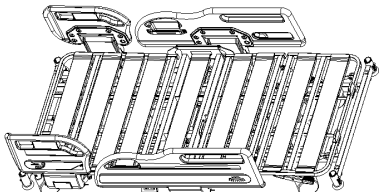
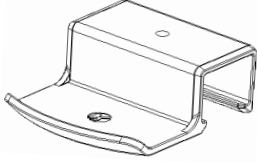
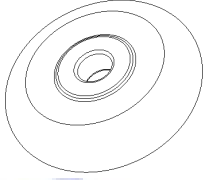
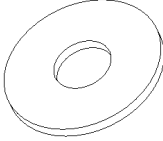
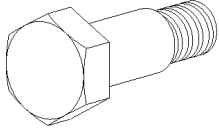
NO.	Name	Picture	Specification	QTY	Unit
1	Head board		Hook distance: L902*H465*W87mm	1	pc
2	Foot board		Hook distance: L902*H465*W87mm	1	pc
3	IV pole		Φ16-19mm/off white hook	1	pc
4	Bed body		L1925*W880mm	1	pc
5	Screw	/	Refer to Table a.1	1	set



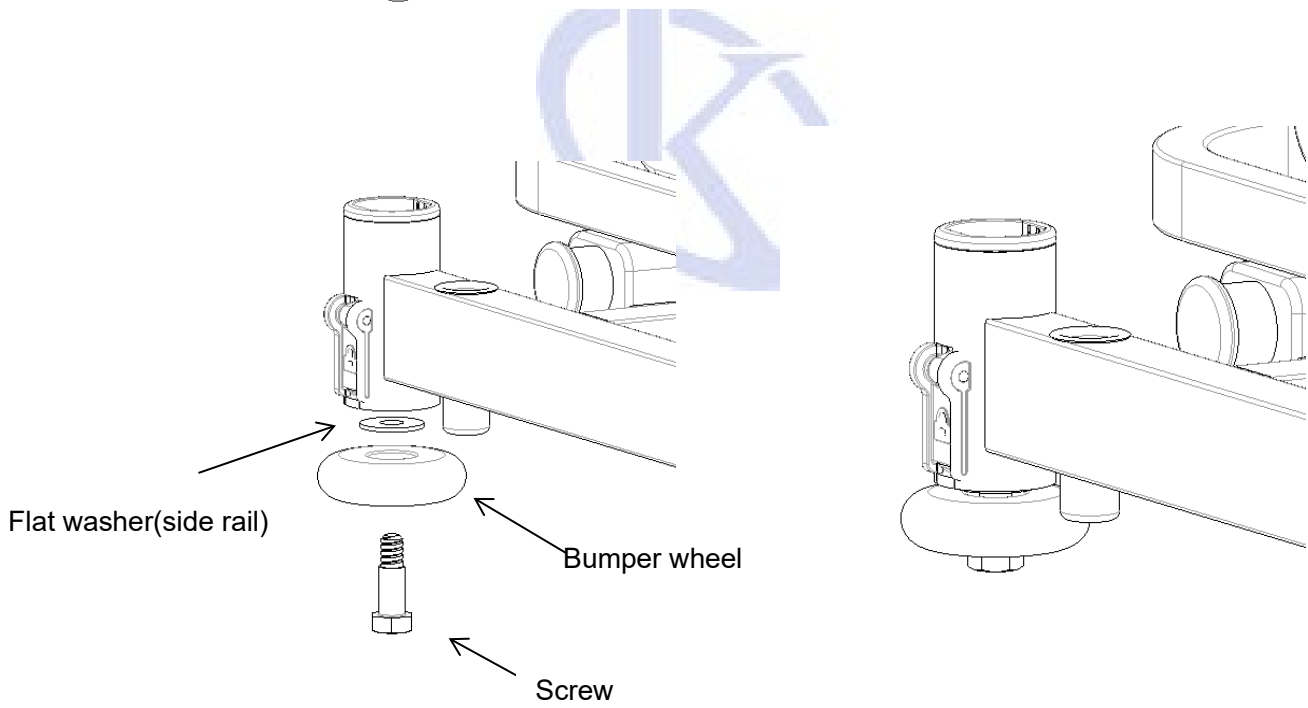
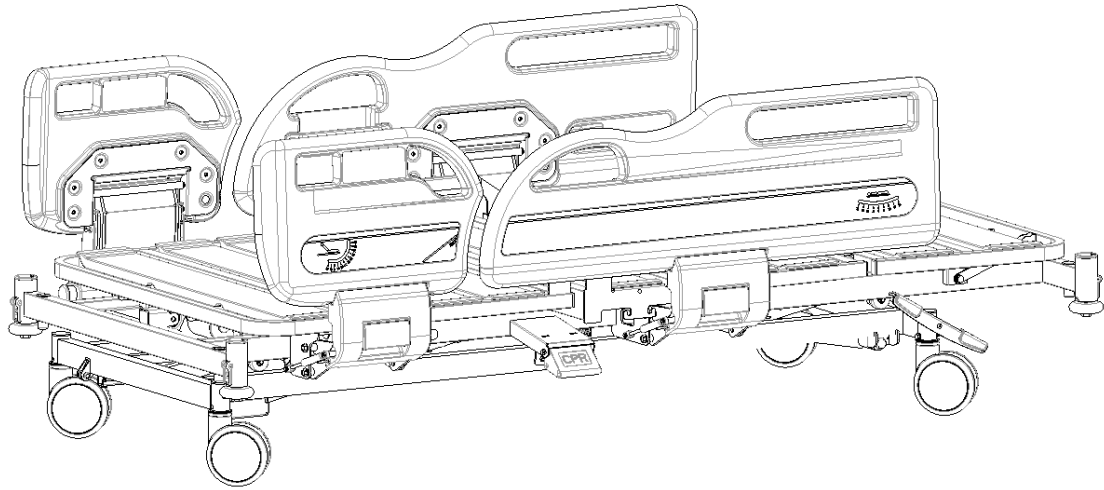
Table a.1:

NO.	Name	Picture	Specification	QTY	Unit
1	PP mattress holder		PP	2	pcs
2	Bumper wheel		$\Phi 70*21\text{mm}$	4	pcs
3	Flat washer(side rail)		$\Phi 8*\Phi 16*H1.2\text{mm}$	4	pcs
4	Screw		$\Phi 8*\Phi 14*H2.5\text{mm}$	4	pcs



## 1.2 Bumper wheel installation

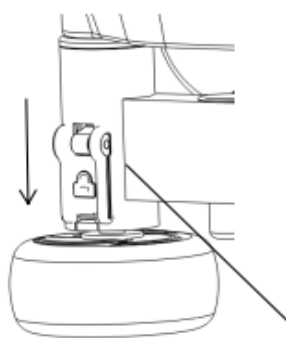
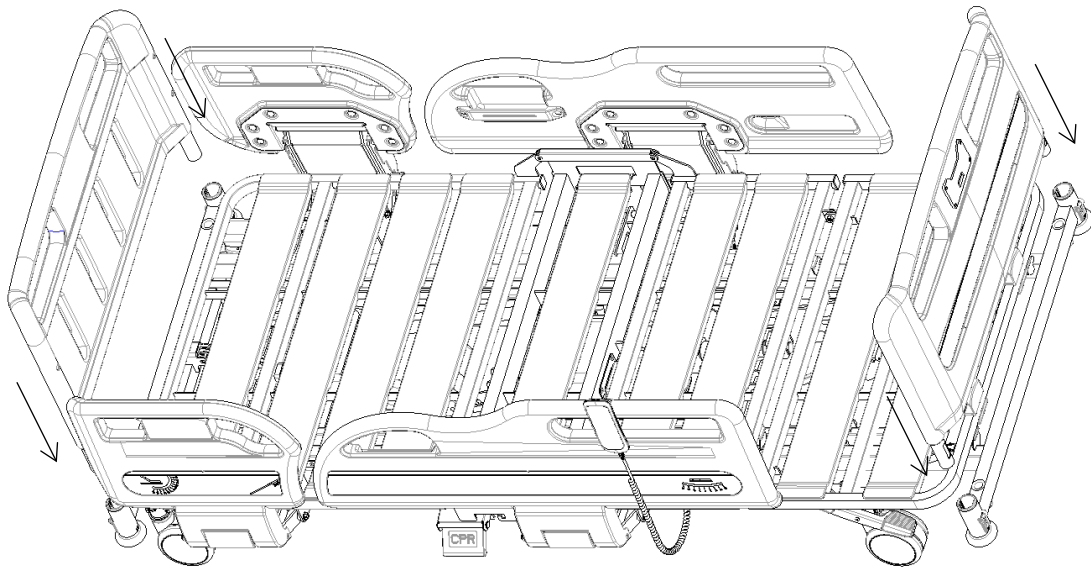
Take out the bumper wheel, flat washer and screws from the screw package, and install the bumper wheel as shown in the figure.



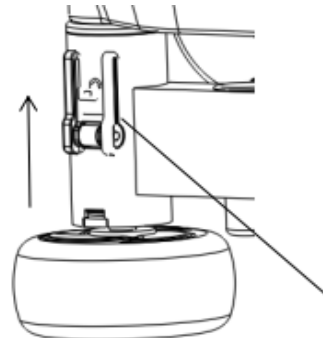


### 1.3 Head board & foot board assembly method

First, align the head and foot board with the positioning column on the bed frame, then insert the head and foot board vertically downward, and clip the lock into the correct position as shown in the figure. Finally, check whether the lock is in the locked state. The installation diagram of head and foot board is as follows:



Locked State



Unlocked State

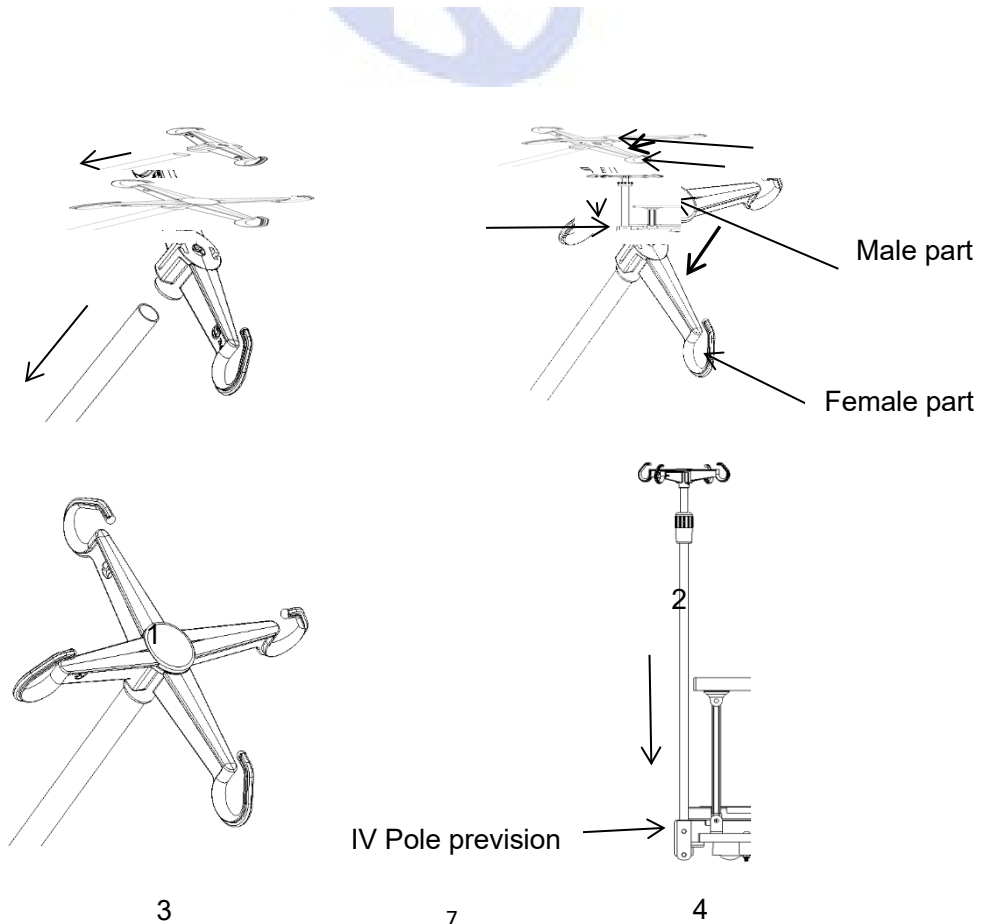
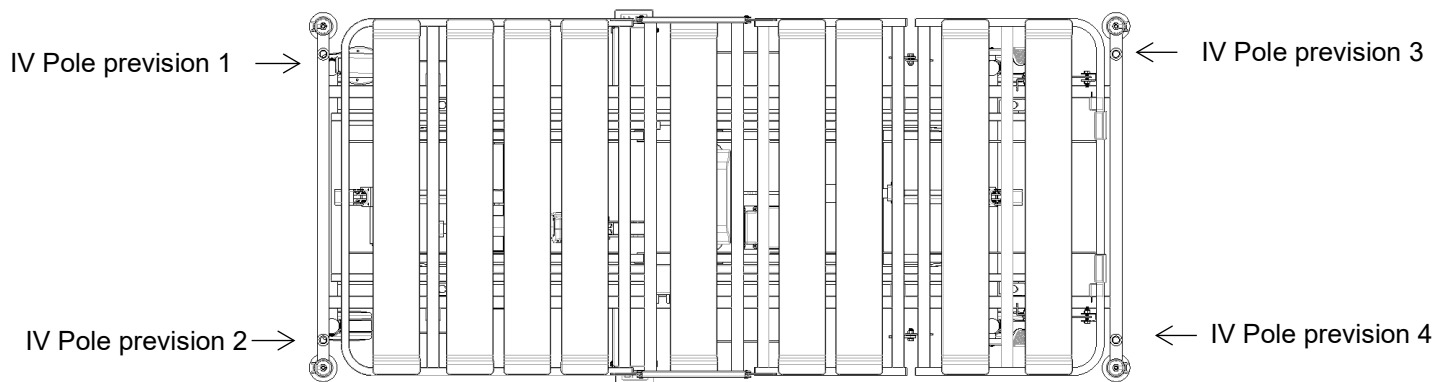


## 1.4 IV pole installation

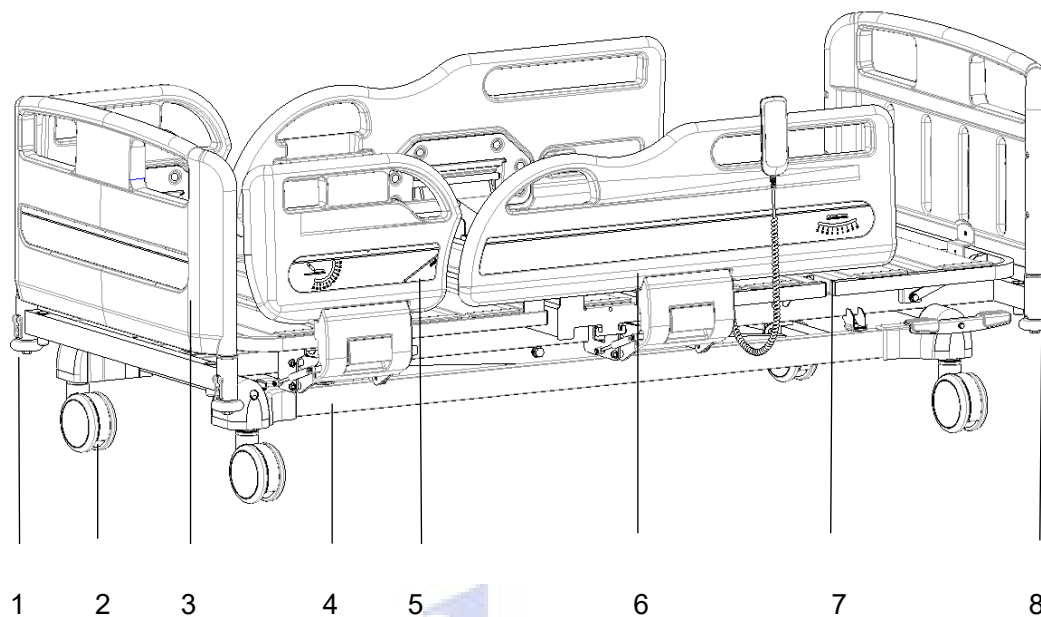
Female part installation: Press the plastic hook (female part) down on the  $\Phi 16\text{mm}$  stainless steel pipe.

Male part installation: Place the plastic hook (male part) directly above the female part in a cross shapes, and then aligns the buckles on the male part with the slots on the female part and press down. After hearing a "click", check whether the end of the buckle is tight, if it is tight, then complete the installation, if not, continue to press down until the buckle is tight.

Insert the installed IV pole vertically into the IV pole prevision. (The arrow in the picture shows the IV pole prevision)



## 2. Use Method




- 1-Bumper wheel    2-Caster    3-Head board    4-Bed frame    5-Small rail    6-Big rail  
7-Bed platform    8-Foot board


Bed surface size	Length	mm	1925±10
	Width		880±10
	The height of the bed above the ground		360±10
Dimensions	Length	mm	2130±10
	Width		1050±10
	Height		(360-800)±10
Tilt range	Back board	/	0 ~ 75±10°
	Leg board		0 ~ 35±10°



Weight	Safe working load	KG	250
--------	-------------------	----	-----

## 2.1 Use method of casters

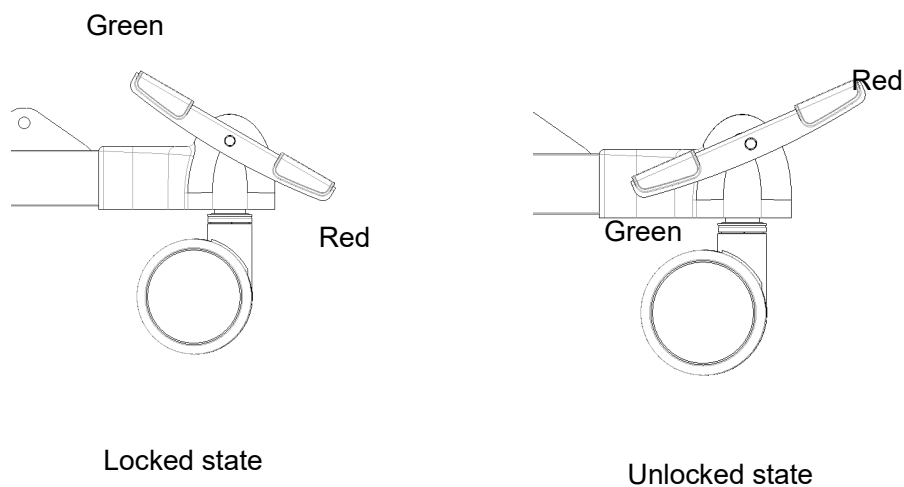
 When there is a patient on the bed, the guardrail should be raised before moving the bed.

 Except when the bed must be moved, the caster brake must be stepped on during the rest of the time.  
Need to depress all four wheel brakes.

This bed uses a centrally controlled side brake, all four wheels can be locked by controlling the brake lever on one side.

Press the red foot lever down to lock all casters.

Press the green foot lever down to unlock all casters.

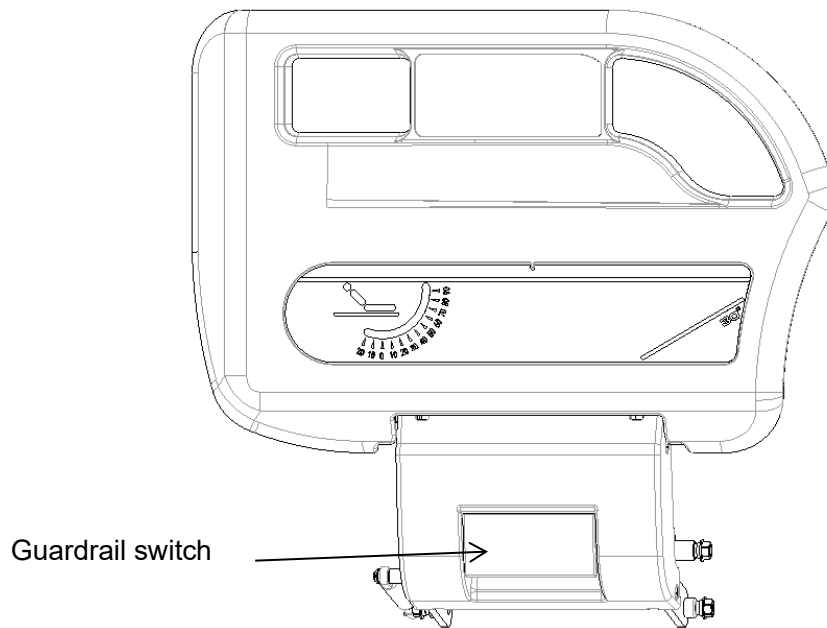


## 2.2 Use method of guardrails

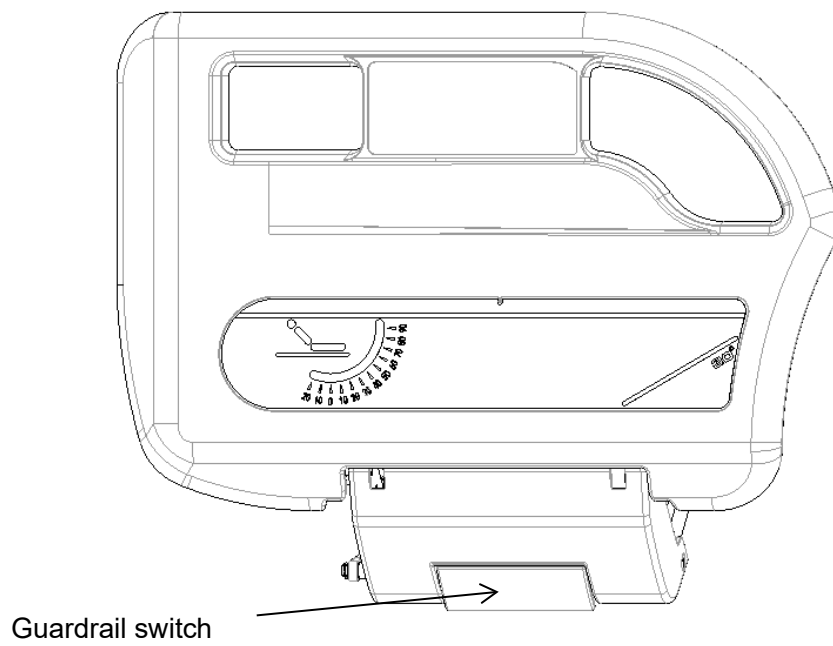
Raising guardrails: Hold the upper guardrail pulled up, a "click" sound indicates the guardrail has been locked.



The picture is as follows:



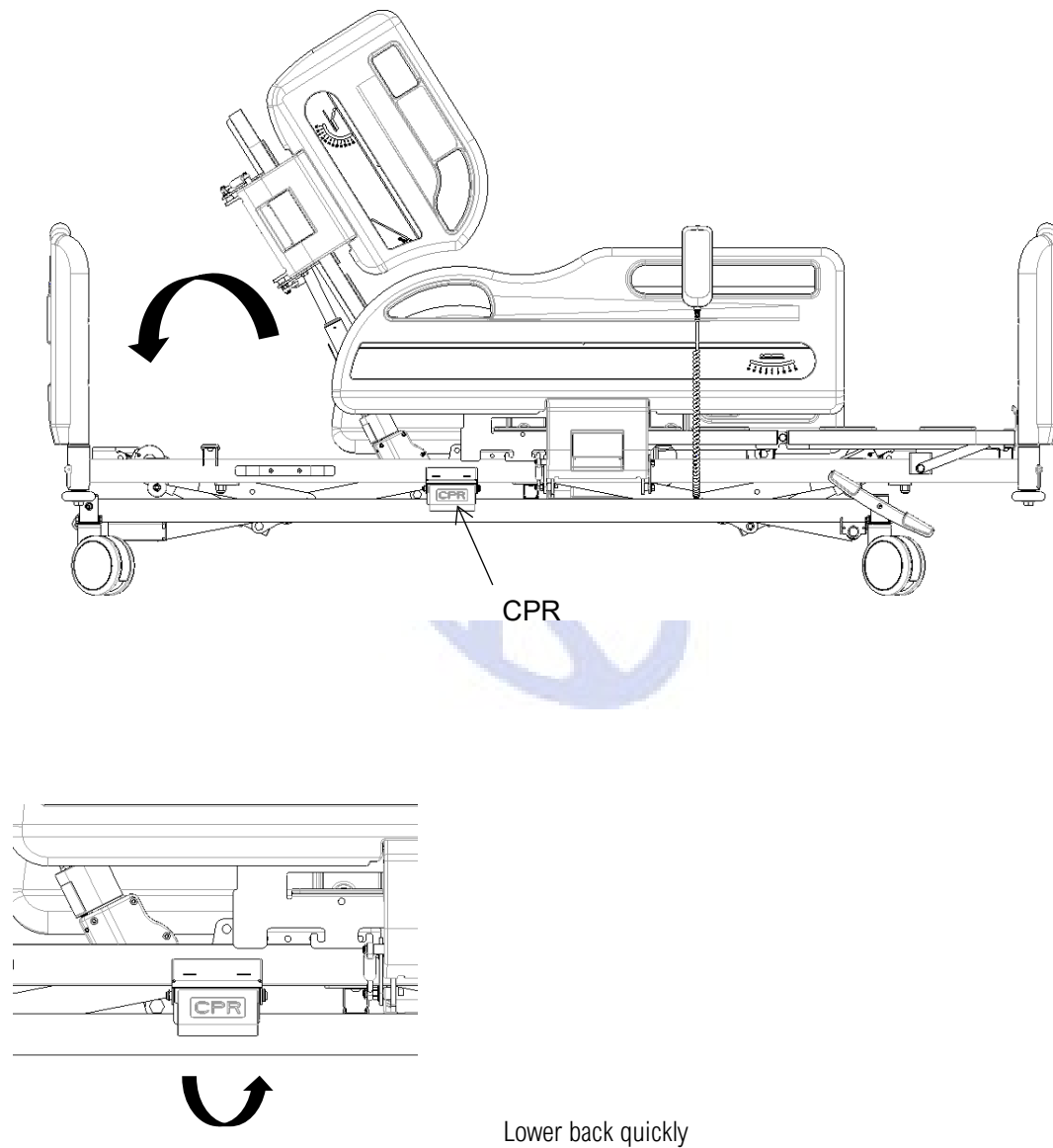
Lowering the guardrail: Pull Guardrail switch outwardly, and hold the upper guardrail while slowly putting down the guardrail. The picture is as follows:





## 2.3 CPR quick release function

The bed can be mechanically lowered during emergency treatment. Operate method: Lift the red CPR switch upward to achieve lower back plate descent

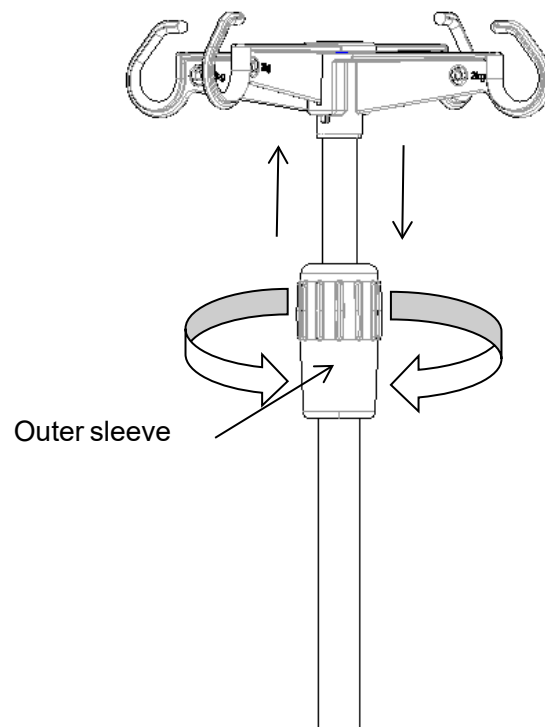


## 2.4 Use method of IV pole

Adjusting the height of the IV pole:

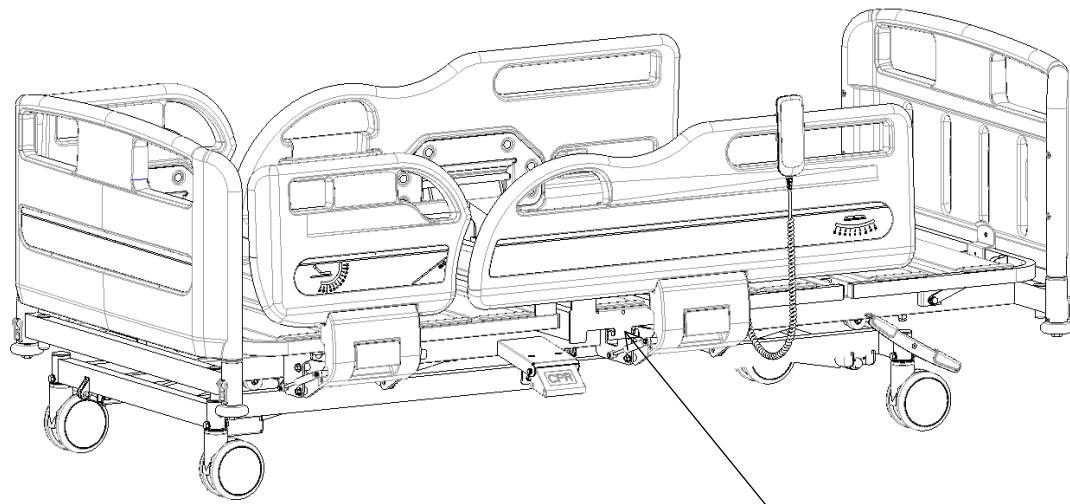
1. First loosen the outer sleeve counter clock carefully, insert the inner tube of the IV pole into the outer sleeve, and then adjust the length of the extension rod up and down;
2. Second adjust the required length, and then tighten the outer sleeve clock carefully. The maximum bearing of each hook is 2kg, a total of 8kg.

(Height Adjustment :890--1540mm)

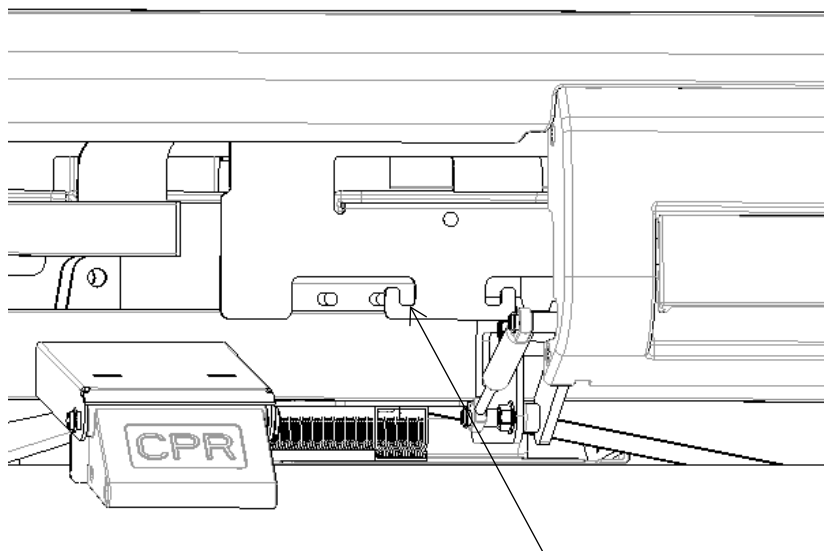




## 2.5 Use method of drainage hook



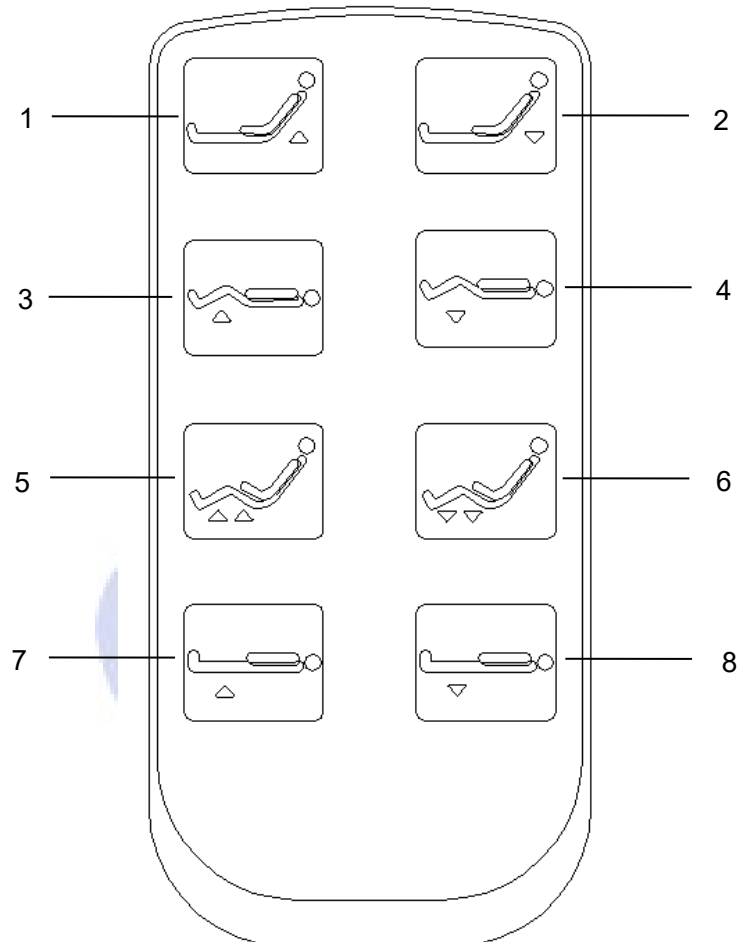
Drainage hook



Drainage hook



## 2.6 Use method of hand controller



1:Back up button

2:Back down button

3:Leg up button

4:Leg down button

5:Back and leg linkage up (auto-contour) button

6:Back and leg linkage down (auto-contour) button

7:Whole bed up button

8:Whole down Button



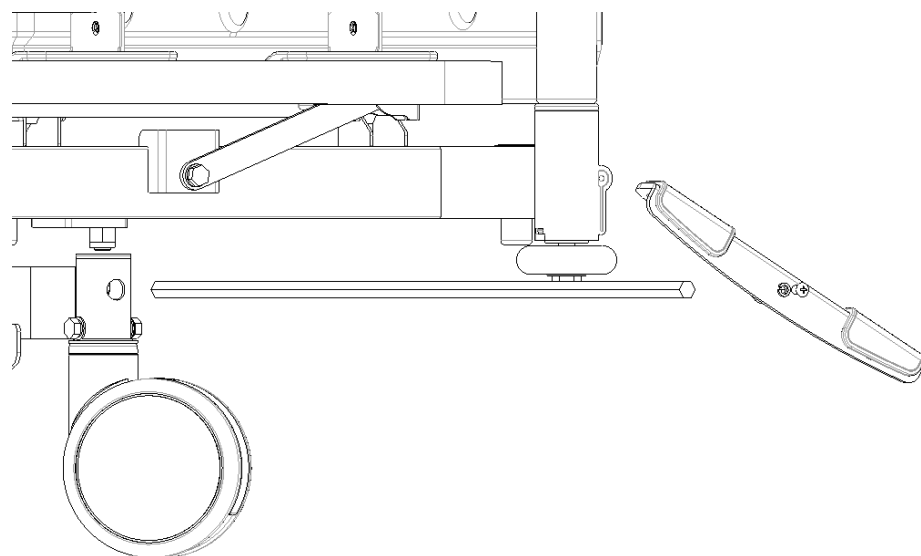
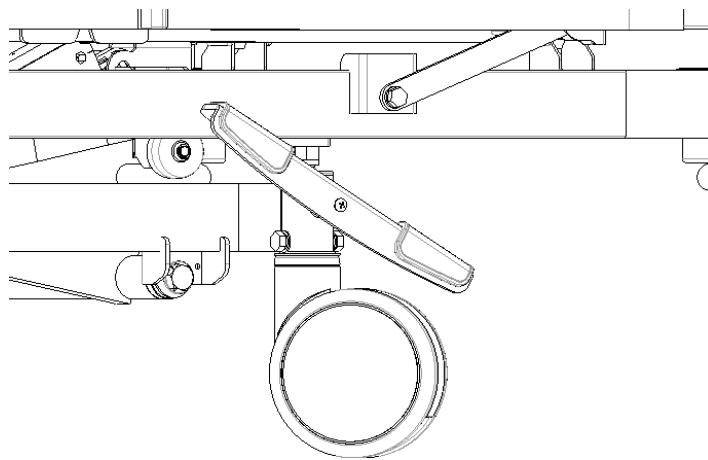
### 3. Spare part replacement and maintenance

#### 3.1 Remove and replacement of casters




Use a 10-inch open spanner to unscrew the screws, take out the screws,

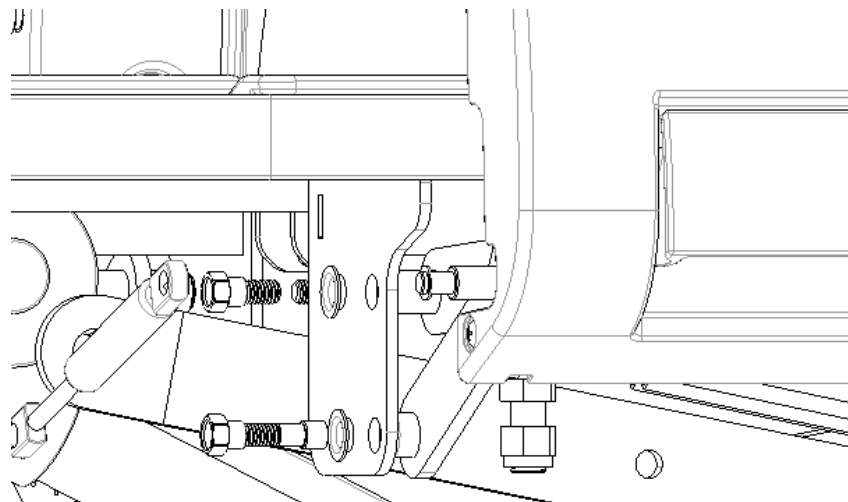
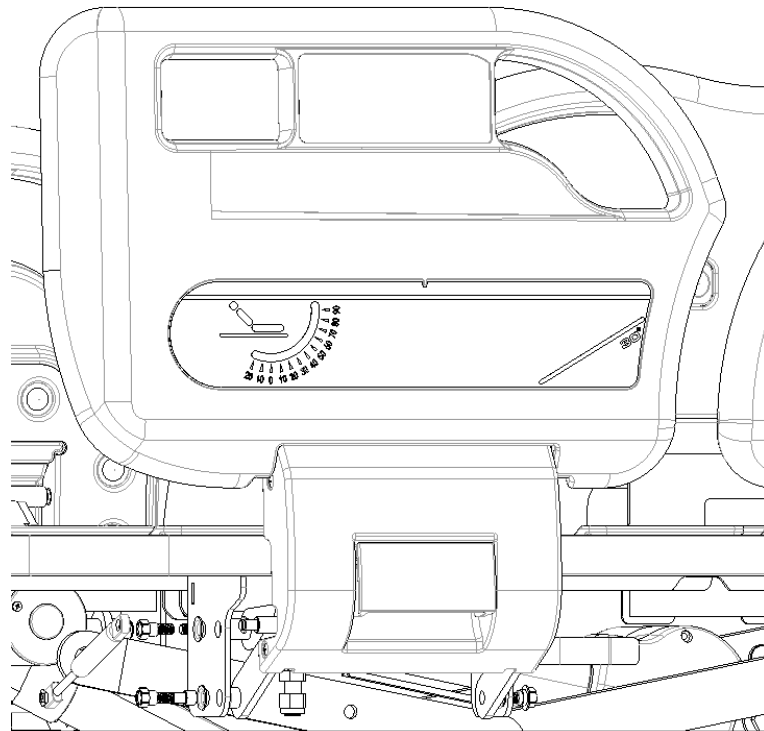
flat spring pad, brake pedal, hexagonal steel, etc. Replace the spare caster, insert the bolts into the base and the caster mounting holes, and tighten the nuts.





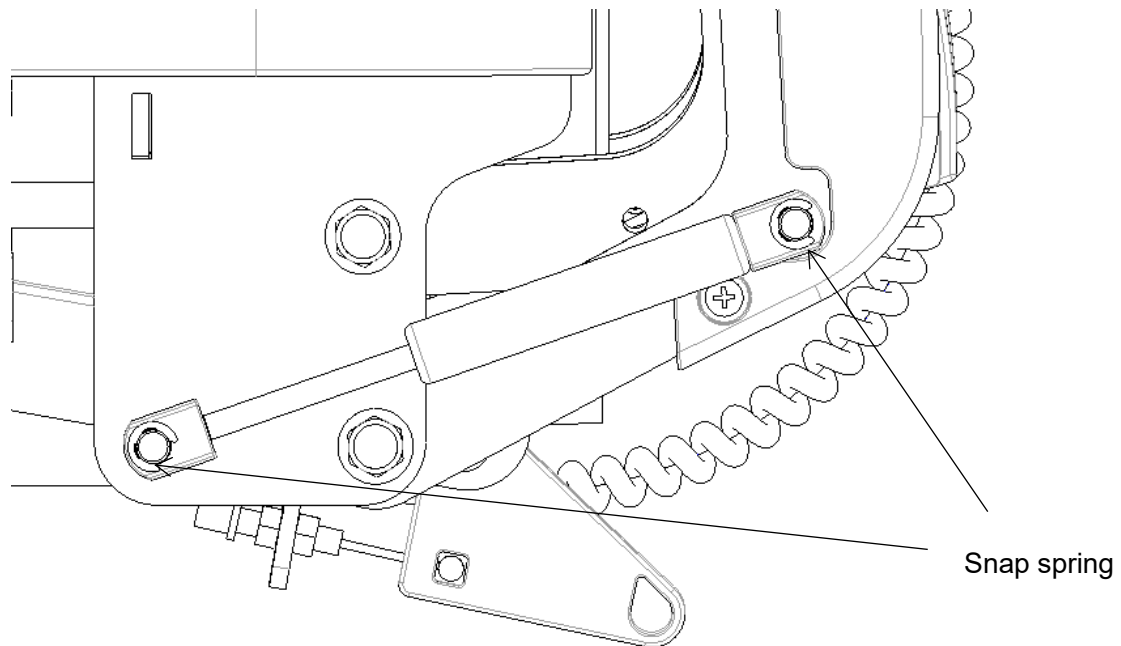
### 3.2 Remove and replacement of side rails

First take down the air spring, then use two 14-inch wrenches  to loosen the nut, remove the nut, bearing in turn, and then remove the guardrail. (The picture may not exactly match the real product, this is only for installation instructions)




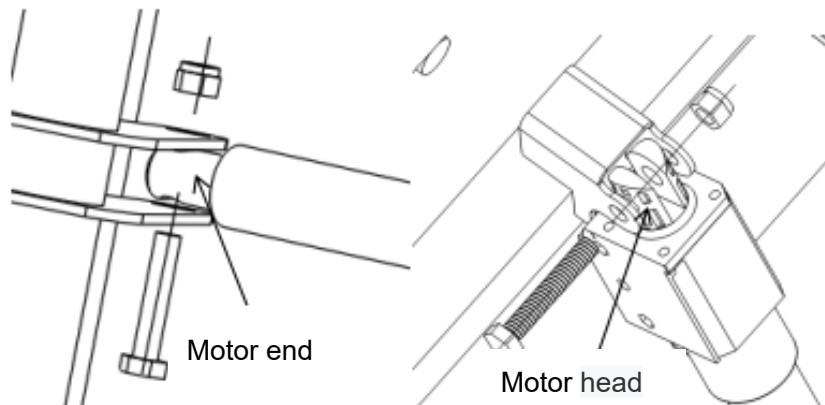
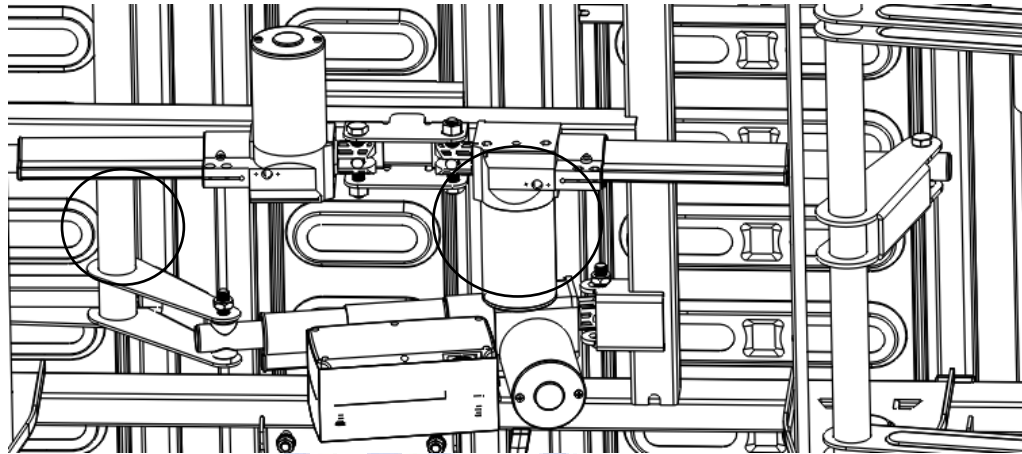
### 3.3 Remove and replacement of gas spring on rail

Remove the gas spring from the head and foot pin shaft with external calipers. Remove the gas spring and replace the spare gas spring. Re-install the gas spring, and debug the guardrail. (The picture may not exactly match the real product, this is only for installation instructions)



### 3.4 Motor replacement and maintenance

Use 2 17-inch open wrenches  to unscrew the mounting nuts of the head and tail of the motor, take out the bolts and replace the motor. After the replacement, install the bolts in the following sequence as shown in the figure below, and tighten the nuts with a wrench.



### 4. Faults exclusion

Common failures	Probable reasons	Exclusion methods
Cannot use position button	The power button was not pressed	Press the power button

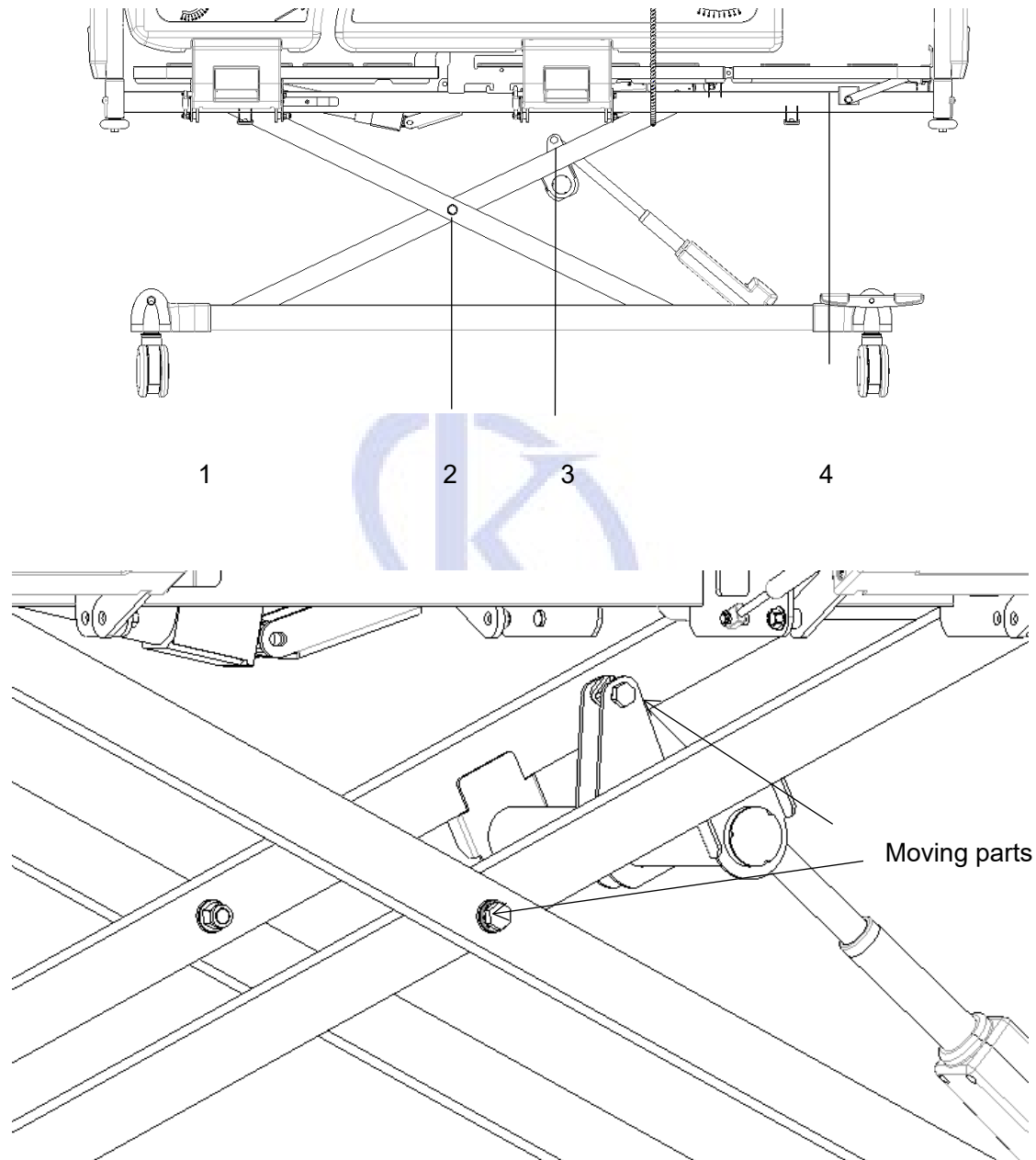


to adjust the bed	Drive motor power off, Driving motor fault	Check the power connection, Replace the motor, see 3.4 Removal and replacement of motor
	The plug was unplugged	Insert the power plug correctly
	Control element fault	Notify the maintenance
Mattress platform height adjustment failure	Drive motor power off	Check the power connection
	Drive motor fault	For motor replacement, see 3.4 Removal and replacement of motor
	The plug was not plugged in properly	Insert the power plug correctly
	Power box fault	Notify the maintenance
	Control element fault	Notify the maintenance
The back plate cannot be lowered from the vertical position	There is a foreign body under the back plate or in the driving device	removal
Guardrail can not be adjust	Guardrail locks dirty	Clean the locking mechanism
	Guardrail switch fault	Replacement of guardrail, see 3.2 Removal and replacement of guardrail
The caster unable to turn	The axis of rotation is trapped by strip dirt	Clean rotation mechanism
	Casters internal mechanism fault	Replace casters, see 3.1 Removal and replacement of casters
Unable to install head and foot board	Incorrect installation of head and foot board	Check the locking mechanism Place the head and foot board correctly, see 1.1 head and foot board installation
	Mechanical fault	Notify the maintenance

## 5. Bed Maintenance

1. In order to use the bed safely, safety inspections must be done regularly. Conduct a comprehensive inspection every six months, to ensure that there is no looseness in the connection parts and the function of up&down for the bed can be operated normally.

2. At the joints of the frequently moving parts of the bed, an appropriate amount of lubricating oil needs to be added during daily inspection; if serious wear is found, it should be replaced immediately to ensure safety, add lubricated parts as show.



3. Avoid hitting the bed and scratching the coating on the bed with sharp objects.



4. Please avoid inhaling moisture into the bed and mattress, which will cause rust, abnormal noise and bacteria breeding. If water adheres, wipe it off immediately.

5. When the bed frame ages and it reaches a certain servicing time, which the metal part of the bed and the plastic parts of the headboard or footboard, guardrail can be recycle.

## 6. Bed-cleaning

1. When cleaning, please wring out the cloth soaked in neutral detergent diluted with water and wipe it, then wring out the cloth soaked in water to wipe off the remaining detergent ingredients, and finally use a dry wipe dry with a cloth.

2. Do not use volatile substances (thinner, volatile agent, gasoline, etc.), which may cause chemical reactions and damage the bed.

3. When using a disinfectant to clean, be sure to dilute it according to its specified concentration before use. Depending on the composition of the disinfectant, it may corrode metal parts, resin parts, etc., causing undesirable phenomena such as discoloration and deformation. Therefore, the content of the disinfectant is recommended as follows:

0.05~0.2% ammonium chloride disinfectant

0.05~0.2% Chlorinated phenyl disinfectant

0.05% diclofenac ethane solution

0.05~0.2% sodium hypochlorite disinfectant

Do not use smoking sterilizers, autoclaves, and do not use methyl (phenol) to clean the headboard and foot of the bed. It may cause corrosion, discoloration and deterioration.

Note: When cleaning the bed or changing the bedclothes, please pay attention to the corners, edges and screws of the frame to prevent scratches.

## 7. Mattress-cleaning and maintenance

1. When using it, avoid scratching the fabric with sharp-angled tools or knives, cover it with sheets or cleaning pads, and clean it frequently to protect it from dryness.

2. Clean the mattress regularly with a vacuum cleaner, Mattress cover can be washed in 100°C.

3. Expose the mattress often to keep the sleep fresh and comfortable, but be careful not to expose the mattress to





too long.

4. If the fabric is accidentally stained, please refer to the corresponding recommended cleaning methods in the instructions, do not use corrosive chemicals to clean the fabric.

5. If accidentally the chewing gum or other jellies get on the fabric, do not wipe it forcibly. Use an ice pack to allow it harden and gently peel it off.

6. If the thread is found to be loose due to wear and tear, do not pull it off by hand, use scissors to cut it together.

\* If your order does not have a mattress, please refer to the contract configuration.

## 8. Caster-detection and maintenance

1. Regularly check the casters to avoid hitting or overloading, which will cause damage to the casters.

2. Grease the casters or wheels on a regularly, and the frequency of addition should be determined according to the specific actual use conditions. In general, lubricating grease is added every six months.

3. After cleaning the caster equipment, pay attention to adding grease. The selection of lubricating grease should be based on the actual use environment, special high temperature and special low temperature environment, and the corresponding lubricating grease should be selected.

4. It is forbidden to force the casters to brake when braking, which will cause damage to the brake system.

5. The wear of the tire surface of the wheel can be detected by visual inspection. Some thread spun yarn and other accumulations may be wrapped around the wheel, remove the bolts and nuts of the wheel, clean up the debris, and check whether the bearing of the wheel is damaged. If the parts are not damaged, can be reassembled and used.

6. Judging whether the caster is replaced according to the time used, wear and tear, you can replace the wheels and make sure that the axles bolt and nuts are well put together and connected. If possible, use a lock washers or locknuts to help you with this process.

7. For the casters equipped with brakes, it is necessary to regularly check whether the brakes are working properly. Check the brakes once a day or before each use. For a hospital bed equipped with multiple brake casters, only one brake caster can be locked at a time which will allow you to try and push the bed also check whether one of the brake performance of each caster is good. If the function of the brake fails due to wear or damage to the wheels, immediately replace the wheels and then retest the brake system.

8. If the mechanism of the brake system of the caster is damaged, and the brake needs to be repaired or replaced,

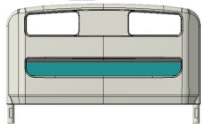
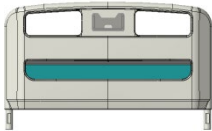


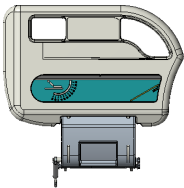


please contact our after-sales service department or authorized dealer provide by our company. Every time the brakes are replaced, the brake performance of the casters must be retested.

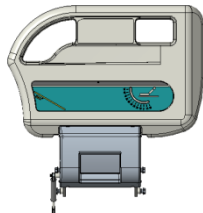
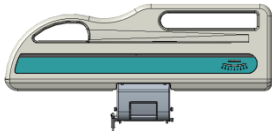
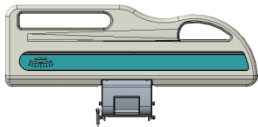


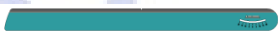
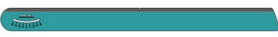




## 9. Guardrail-maintenance

1. Please check whether the side rails are installed correctly to prevent the lying patient from shifting and rolling down.
2. Please always check the screws of the total position of the guardrail and the wire to prevent loosening and falling off.
3. Please use the red plastic parts of the guardrail switch correctly, and do not use brute force prevent it from damaging the guardrail.

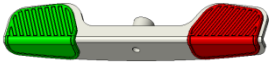
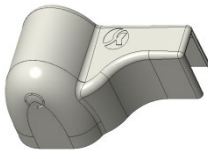

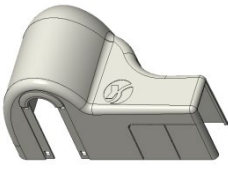
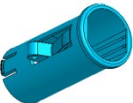
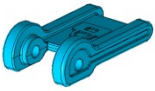
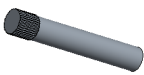



## 10.Spare part list


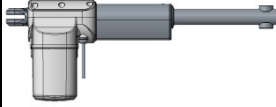


No.	Name	Model No	Picture	Specification
1	YR Headboard	BKLLGH105872		902*465*87/860mm
2	YR Foot board	BKLLGH105873		902*465*87/860mm/ Name card
3	YR Head foot board sticker	LGPFU101TS319		718*78mm
4	Name card	GPSL101TS184		/
5	Small side rail (left side) without insert control panel	BKLLGH041901		520.7*60*350.2mm



6	Small side rail (right side) without insert control panel	BKLLGH041902		520.7*60*350.2mm
7	Big side rail (left side) without insert control panel	BKLLGH041903		1079.9*53*350mm
8	Big side rail (right side) without insert control panel	BKLLGH041904		1079.9*53*350mm
9	Small side rail sticker (left side)	LGPFU101TS313		373.9*77mm
10	Small side rail sticker (right side)	LGPFU101TS314		373.9*77mm
11	Big side rail sticker (left side)	LGPFU101TS315		978.4*77mm
12	Big side rail sticker (right side)	LGPFU101TS316		978.4*77mm
13	Side rail damper	BYDYG0000236		170-60-35mm
14	30-50 Drainage hook	BYKBGKM02806		30-50 (plastic)
15	Bumper wheel	BYKBGKM02823		Φ70*21mm
16	IV pole	SOFJSY010003		Φ16-19mm/off-white



17	Brake pedal	BJC1GMPB0501		250*41.33*29mm/T4
18	Bed foot cover (left side)	BYKBGKM02402		φ55X100Y139.5/ T2.5/ABS
19	Bed foot cover board	BYKBGKM02404		Φ26X21Y73/T3/ABS
20	Bed foot cover (right side)	BYKBGKM02403		Φ55X100Y139.5/ T2.5/ABS
21	Head foot board socket	BYKBGKM02822		Φ45*L89.7mm
22	Head foot board lock switch	BYKBGKM02821		26*15*48.3mm
23	Stainless steel rolling part	BYDYG0000190		4*25mm
24	Central locking castor	LGPLU101TS109		T125C-2-062-D32X50- 2D30°
25	PP Mattress holder	BYDYG0000356		/
26	Back part motor	LGPDJ101TS569		JC35D/Stroke 250mm/Installation distance 435mm/ off-white

27	Height part motor	LGPDJ101TS560		JC35C/Stroke 250mm/Installation distance 435mm/ off-white
28	Leg part motor	LGPDJ101TS559		JC35L9 off-white
29	JC 3m power line	LGPDJ101TS465		/
30	JC Three functions control box 100-230V	LGPDJ101TS449		JCB35Q-0-3-24- 100/230-G
31	JC Three functions hand controller	LGPDJ101TS423		JCH35A4-A-4-G

Note: Due to product updates, parts of the original product may not be available for life.

(The company ensures that the sold products can provide the parts that need to be replaced within 6 years after the end of their production)

## 11. Packaging, transport, storage

1. The packaging of electric bed is carried out according to the contract or product standard.
2. Avoid rushing out, violent vibration, and prevent from sunlight and rain during the transportation of the electric bed.
3. The electric bed should be stored:
  - a) Ambient temperature: +5°C ~ +40°C.
  - b) Relative humidity: ≤ 85%.
  - c) Atmospheric pressure: 70 kPa ~ 106 kPa.
  - d) Power voltage: AC 100-220±22V;

e) Power frequency: 50±5 Hz

4. The equipment is with internal power supply, and the protection type is Type B.

A) Working voltage: DC 24V.

B) Input power: 500VA.

C) Fuse model and rating: F3AL 250V, 5×20mm

D) Working schedule: intermittent loading and continuous operation

E) Ingress protection :IPX4

F) Non-AP /APG devices

Symbol Interpretation:



Note! Check the file that comes with the bed IPX4 Ingress protection



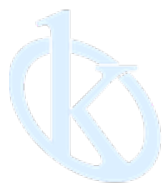
Class II equipment



Protective grounding

## 12. After-sales service

1. Please keep the files that comes with the machine and invoices of this product properly, and you need to present these materials when the company performs warranty and maintenance for the product.
2. If there is any problem in the process of using, please contact our company in time, so that our company can provide you with accurate and fast technical support and maintenance services in a timely manner.
3. Do not disassemble the internal device of this product by yourself to avoid unnecessary damage. If you find that the use is affected due to quality problems, please contact our after-sales service department or our authorized dealer.
4. From the date of purchase, if it is indeed damaged or does not work normally due to quality problems within one year, the company will provide to the users a free repairing of the product.



All rights reserved © KALSTEIN France S. A. S.,  
Optimum Business Center 450 Rue Baden Powell,  
• 34000 Montpellier, France.  
Tlf: +33 467158849 / +33 680760710/ +33 663810023  
<https://kalstein.eu>  
**KALSTEIN FRANCE, S. A. S**

