



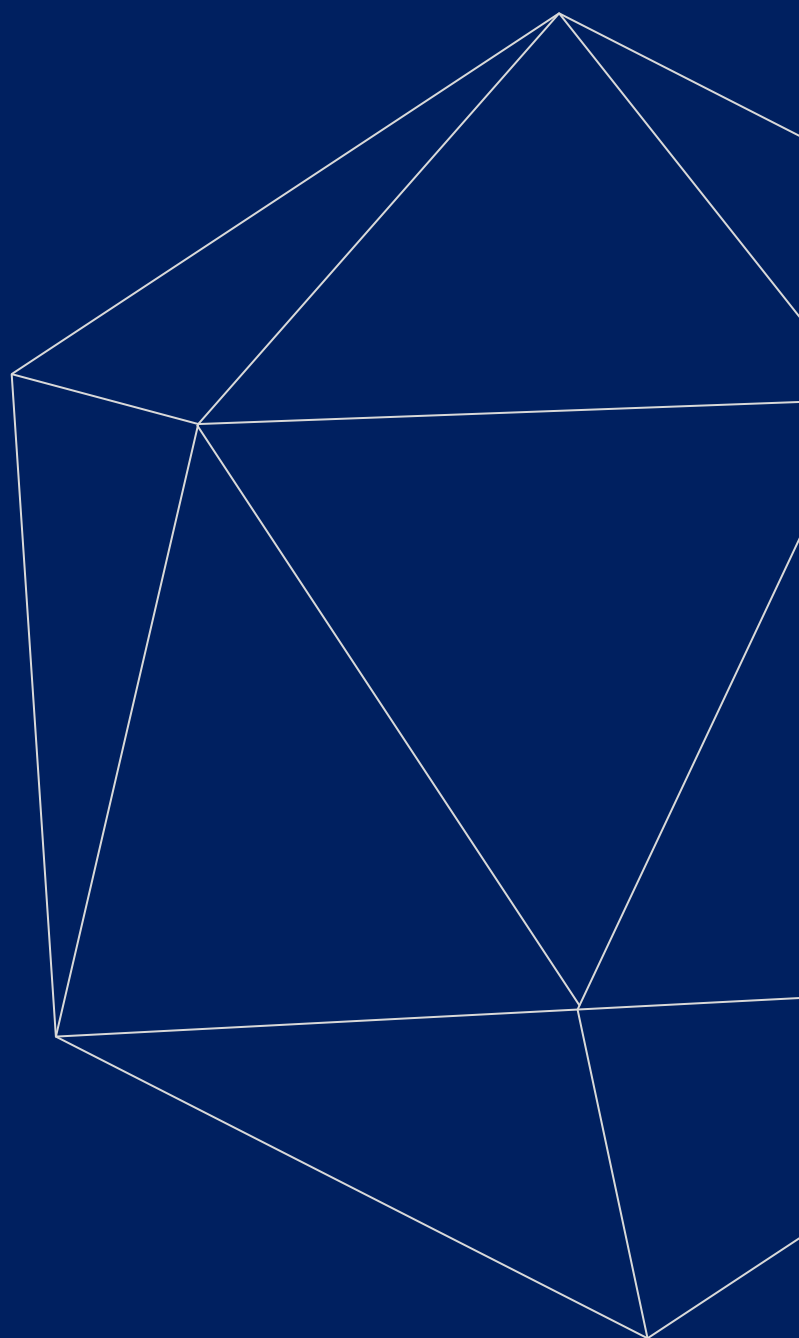
LABORATORY LINES

INVERTED BIOLOGICAL
MICROSCOPE



Kalstein®

A different accompaniment, at your service





Kalstein®

A different accompaniment, at your service

OUR SERVICES

Benefits and Support

In Kalstein France, we take care of the full satisfaction of our customers, that is why we provide value-added services of the highest level based on our experience.



Online Inductions and Trainings

In any part of the world, receive your induction or training from our specialized team of engineers



Quick Response

Our work team is always available to response all your consults or questions, in order to support you in any situation.



#Letsgivemore ❤️

Thanks to your purchase, a donation will be made to a non-profit foundation that fights against breast cancer and helps most vulnerable communities.



Technical Support

Enjoy of personalized advice for the correct preventive and corrective maintenance of your equipment, thanks to Kalstein's manuals and articles, special catalogues and video tutorials.



Delivery Logistics

We take care of all the necessary logistics for the dispatch of your goods, whether is by sea, land or air.



Kalstein Worldwide

With more than 25 years growing with our customers, Kalstein's multiformat and modern content, is now present in more than 10 countries and increasing.



KALSTEIN® Microscope Inverted Biological Microscope YR0230



Microscopes are essential equipment in any laboratory, some are very simple while others are more complex equipment; however, they are all made up of many parts that require proper maintenance, since they represent a large investment.

The first great advances in science and in particular in the biological sciences are due in part to the invention of the optical microscope, when at the end of the seventeenth century Anton van Leeuwenhoek, carving lenses, was able to appreciate the world that due to its small size was impossible see with the naked eye: the microscopic world.

Fortunately, years later, thanks to the invention of the optical microscope, man was able to have evidence of the great world that existed beyond the lenses and thus discover an inorganic universe, such as table salt crystals or oxalate salts that They are found in the urine and whose accumulation is the cause of kidney stones. Likewise, he was able to observe the slow movements of an intestinal parasite, the amoeba, which also helped to remove the blindfold of obscurantism and thus take the first steps in modern science.



KALSTEIN MICROSCOPES

In Kalstein you can find the ideal Microscopes for your laboratory

Currently there are different types of microscopes, **the luminous** ones are those that use visible light in order to make a specimen observable. These include the simple light microscope and the compound light microscope.



Illuminated or clear field microscopy

Is the most used for the observation of colored smears, to examine morphological characteristics and the mobility of organisms in fresh preparations...



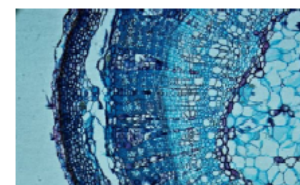
The phase contrast microscope

Shades the tones from light gray to very dark. It is based on the fact that the light waves that pass through transparent objects, such as cells, emerge in different phases, depending on the properties of the materials they pass through.



In dark field microscopy

The same light microscope is used, using a condenser whose numerical aperture is greater than that of the objective, thus blocking direct light rays just as it deflects light from a mirror to the side of the condenser at an oblique angle.



Basswood Stem c.s. under microsc

The fluorescence microscope

Is based on the principle of removal of incident illumination by selective absorption, transmission of the light absorbed by the sample and re-emitted with different wavelengths.



#Letsgivemore ♥

Thanks to your purchase, a donation will be made to a non-profit foundation that fights against breast cancer and helps most vulnerable communities.



All rights reserved © KALSTEIN France S. A. S.,
2 Rue Jean Lantier • 75001 Paris •
+33 1 78 95 87 89 / +33 6 80 76 07 10 •
<https://kalstein.eu>
KALSTEIN FRANCE, S. A. S



KALSTEIN® Microscope
Inverted Biological Microscope
YR0230



Head

Seidentopf Trinocular Head, 30° Inclined,
Interpupillary 48~75mm, Diopter Adjustable



Nosepiece

Quintuple Nosepiece Under Working Stage



#Letsgivemore ♥

Thanks to your purchase, a donation will be made to a non-profit foundation that fights against breast cancer and helps most vulnerable communities.



All rights reserved © KALSTEIN France S. A. S.,
2 Rue Jean Lantier • 75001 Paris •
+33 1 78 95 87 89 / +33 6 80 76 07 10 •
<https://kalstein.eu>
KALSTEIN FRANCE, S. A. S



KALSTEIN® Microscope
Inverted Biological Microscope
YR0230



Working Stage

Plain Stage 160*250mm, Glass Insert Plate, Auxiliary Stage 70*180mm



Focusing

Coaxial Coarse & Fine Adjustment, Coarse Stroke 37.7mm Per Rotation, Fine Stroke 0.2mm Per Rotation



#Letsgivemore

Thanks to your purchase, a donation will be made to a non-profit foundation that fights against breast cancer and helps most vulnerable communities.



All rights reserved © KALSTEIN France S. A. S.,
2 Rue Jean Lantier • 75001 Paris •
+33 1 78 95 87 89 / +33 6 80 76 07 10 •
<https://kalstein.eu>
KALSTEIN FRANCE, S. A. S



KALSTEIN® Microscope
Inverted Biological Microscope
YR0230



Illumination

External Kohler Illumination, Halogen Lamp
6V30W, Brightness Adjustable



Brightness Adjust Knob

Illumination Brightness Adjustable with Lever
Indicator



#Letsgivemore ♥

Thanks to your purchase, a donation will be made to a non-profit foundation that fights against breast cancer and helps most vulnerable communities.



All rights reserved © KALSTEIN France S. A. S.,
2 Rue Jean Lantier • 75001 Paris •
+33 1 78 95 87 89 / +33 6 80 76 07 10 •
<https://kalstein.eu>
KALSTEIN FRANCE, S. A. S



KALSTEIN® Microscope
Inverted Biological Microscope
YR0230



LWD Infinity Plan Objectives, Making View Vield Flatter and Brighter, Contrast Sharper Living Cell Observing Easier



Advanced, Reliable Mechanical Stage, with Knob Height & Tightness Adjustable



Different Holders For Various Observations



#Letsgivemore ♥

Thanks to your purchase, a donation will be made to a non-profit foundation that fights against breast cancer and helps most vulnerable communities.



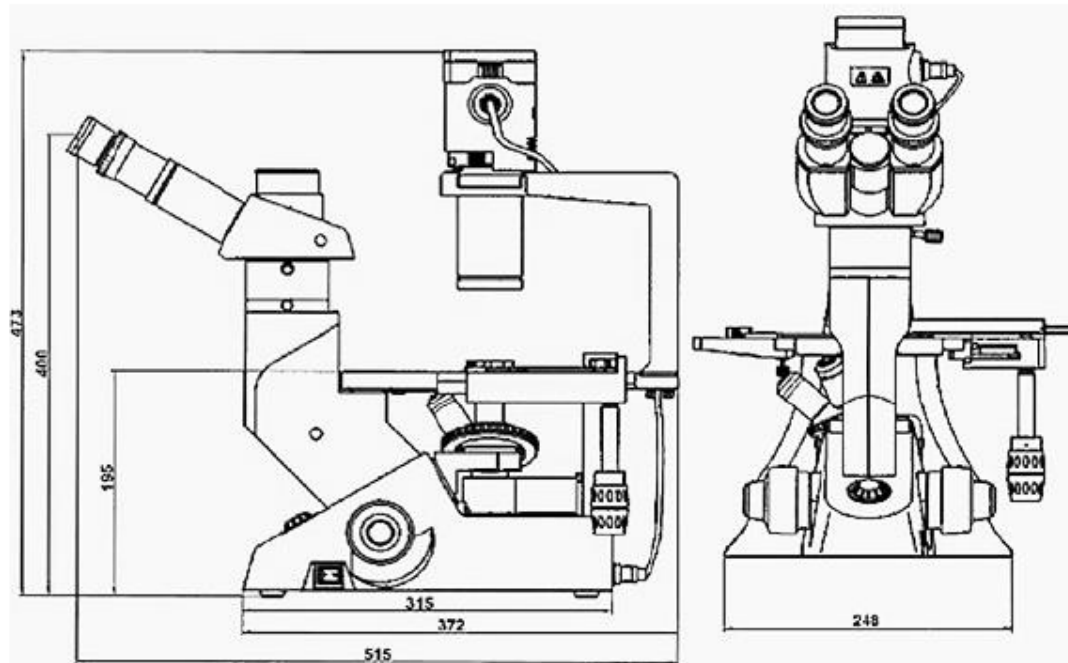
All rights reserved © KALSTEIN France S. A. S.,
 2 Rue Jean Lantier • 75001 Paris •
 +33 1 78 95 87 89 / +33 6 80 76 07 10 •
<https://kalstein.eu>
 KALSTEIN FRANCE, S. A. S



KALSTEIN® Microscope
Inverted Biological Microscope
YR0230



System Size



#Letsgivemore ❤️
 Thanks to your purchase, a donation will be made to a non-profit foundation that fights against breast cancer and helps most vulnerable communities.

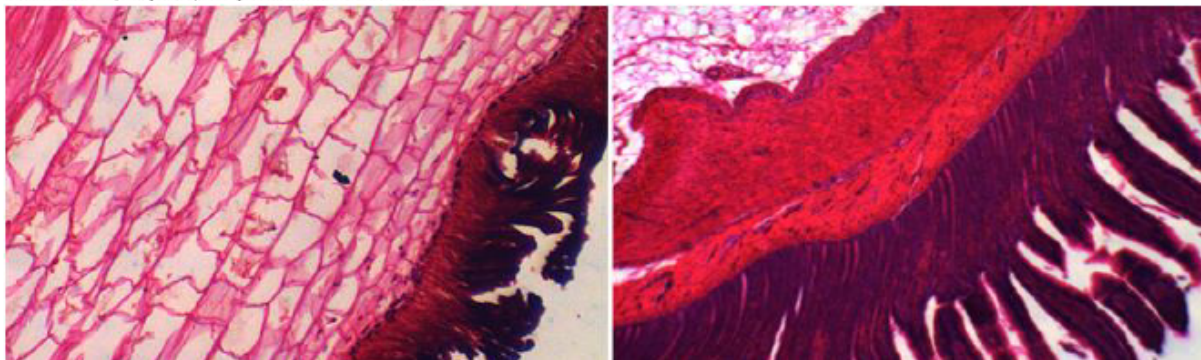


All rights reserved © KALSTEIN France S. A. S.,
 2 Rue Jean Lantier • 75001 Paris •
 +33 1 78 95 87 89 / +33 6 80 76 07 10 •
<https://kalstein.eu>
KALSTEIN FRANCE, S. A. S



Product Application

Inverted Biological Microscope is equipped with extra Wide Field Eyepiece EW10x/22mm, High Eye-point long working distance plan achromatic objectives. It can observe transparent and unfinished living specimen in culture bottle or culture utensil. It is the ideal tools for research of living specimen structure, liquid, deposits and so on.



Product Specification

YR0230 Inverted Laboratory Biological Microscope			
Optical System	Infinity Optical System		
Head	Seidentopf Trinocular Head, 30° Inclined, Interpupillary 48-75mm, Diopter Adjustable		
Eyepiece	Extra Wide Field Eyepiece EW10x/22mm, High Eye point		
Nosepiece	Quintuple Nosepiece		
Objective	Infinity Plan LWD Achromatic Objective	4x/0.1, W.D.18mm	
		40x/0.6, W.D.2.6mm, Cover Glass 1.2mm	
Objective	Infinity Plan Phase Contrast Achromatic Objective	PH10x/0.25, W.D.10mm	
		PH20x/0.40, W.D.5.1mm	
Focusing	Coaxial Coarse & Fine Adjustment, Coarse Stroke 37.7mm Per Rotation, Fine Stroke 0.2mm Per Rotation		
Working Stage	Plain Stage 160*250mm --Glass Insert Plate --Auxiliary Stage 70*180mm		
Condenser	ELWD Condenser N.A.0.3, Long Working Distance 72mm, Up to 150mm Without Condenser		
Phase Contrast	--Centering Telescope, Tube Dia.30mm --Phase Contrast Slide, 2 Holes For 10x-20x Objective		
Filter	Green, Blue, Ground Glass, Dia.45mm		
Illumination	External Kohler Illumination, Halogen Lamp 6V30W, Brightness Adjustable		
Adapter	Eyepiece Adapter Dia.23.2mm		
YR0230 Inverted Laboratory Biological Microscope Optional Accessories			
Objective	Infinity Plan LWD Achromatic Objective	10x/0.25, W.D.10mm	A5M.1031-10
		20x/0.4, W.D.5.1mm	A5M.1031-20
Phase Contrast	Infinity Plan Phase Contrast Achromatic Objective	PH40x/0.6, W.D.0.35mm	A5C.1023-40
	Phase Contrast Slide, 3 Holes For 10x-20x-40x Objective		A5C.1013-3
Working Stage	Attachable Mechanical Stage, X-Y Coaxial Control, Moving Range 120*78mm		A54.1006-XY
	Ergonomic Stage Knob's Height & Position Along Y-Axis Movable To Where It Is Most Comfortable, Tightness Adjustable		
	Terasaki Holder, Inner Holding Size 56x88mm		
	Petri Dish Holder Dia.38mm		
	Slide Glass Holder Dia.54mm		
Adapter	Slide Glass Holder Dia.90mm		A54.1006-90
	Photo Adapter		A55.1001
	C-Mount 1.0x		A55.1002-10
	C-Mount 0.45x		A55.1002-45
Fluorescent	Fluorescent Attachment, Upgrade to YR0230(A)		A5F.1003



#Letsgivemore

Thanks to your purchase, a donation will be made to a non-profit foundation that fights against breast cancer and helps most vulnerable communities.



All rights reserved © KALSTEIN France S. A. S.,
2 Rue Jean Lantier • 75001 Paris •
+33 1 78 95 87 89 / +33 6 80 76 07 10 •
<https://kalstein.eu>
KALSTEIN FRANCE, S. A. S





 **Kalstein**[®]
A different accompaniment, at your service

#LETSGIVEMORE 

**WITH THE
ACQUISITION
OF A KALSTEIN
EQUIPMENT**

YOU MAKE A CONTRIBUTION TO:

 **Fundación
Jacinto Convit**
<https://www.jacintoconvit.org/>

 **ONE
TREE
PLANTED**

<https://onetreepanted.org>

 **Humatem**
Solidarité et coopération
biomédicale
<https://www.humatem.org/>

 **MANIAPURE
FOUNDATION USA**
<https://www.maniapurefoundation.org/>

Articles Kalstein
(Social Networks and Official Websites)



Kalstein Blog
Not just be informed, be fully informed

The 3 articles of the week!

Read more on Kalstein's social medias or official websites
<https://kalstein.eu/articles>



1
Read this ARTICLE NOW

How does the climate affect your microscope?

microscope is an instrument that allows observing and measuring objects that are too small to be seen with the naked eye. This is achieved through a complex system of lenses and mirrors, which form

Kalstein Blog

Article of the week:
How does the climate affect your microscope?

Read more on Kalstein's social medias or official websites
<https://kalstein.eu/articles>



2
Read this ARTICLE NOW

What is the importance of the laboratory refrigerator?

refrigerator is a device that is one of the most common pieces of equipment used in laboratories. It is a controlled environment (refrigerated space), various fluids and substances

Kalstein Blog

Article of the week:
What is the importance of the laboratory refrigerator?

Read more on Kalstein's social medias or official websites
<https://kalstein.eu/articles>

Kalstein Training Videos
(Youtube Channel and Official Websites)



Kalstein France - Jacinto Convit Foundation / Alliances

23 views • 3 years ago



Kalstein's Microscopes

445 views • 1 week ago



PARIS - FRANCE
HEADQUARTER

2 Rue Jean Lantier
75001 Paris - France

Tlf: +33 (0) 01 78 95 87 89

Cel: +33 (0) 6 80 76 07 10

sales@kalstein.eu

<https://kalstein.eu/>
<https://www.kalstein.fr/>

