



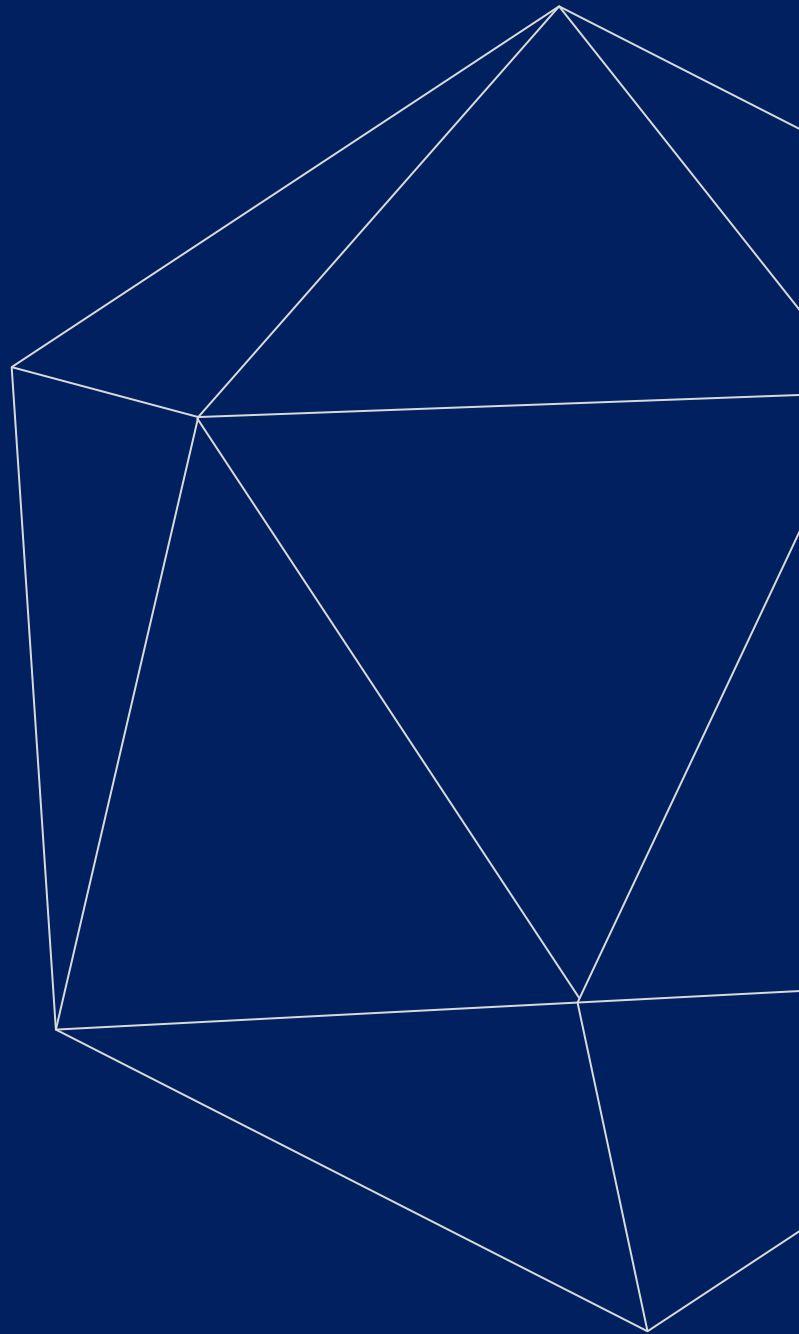
LABORATORY LINES

BIOLOGICAL MICROSCOPE



Kalstein®

A different accompaniment, at your service





Kalstein®

A different accompaniment, at your service

OUR SERVICES

Benefits and Support

In Kalstein France, we take care of the full satisfaction of our customers, that is why we provide value-added services of the highest level based on our experience.



Online Inductions and Trainings

In any part of the world, receive your induction or training from our specialized team of engineers



Quick Response

Our work team is always available to response all your consults or questions, in order to support you in any situation.



#Letsgivemore ♥

Thanks to your purchase, a donation will be made to a non-profit foundation that fights against breast cancer and helps most vulnerable communities.



Technical Support

Enjoy of personalized advice for the correct preventive and corrective maintenance of your equipment, thanks to Kalstein's manuals and articles, special catalogues and video tutorials.



Delivery Logistics

We take care of all the necessary logistics for the dispatch of your goods, whether is by sea, land or air.



Kalstein Worldwide

With more than 25 years growing with our customers, Kalstein's multiformat and modern content, is now present in more than 10 countries and increasing.



Biological Microscope

Model YR0231



#Letsgivemore

Thanks to your purchase, a donation will be made to a non-profit foundation that fights against breast cancer and helps most vulnerable communities.



All rights reserved © KALSTEIN France S. A. S.,
Optimum Business Center 450 Rue Baden Powell,
• 34000 Montpellier, France.
Tél: +33 467158849 / +33 680760710 / +33 663810023
<https://kalstein.eu>
KALSTEIN FRANCE, S.A. S





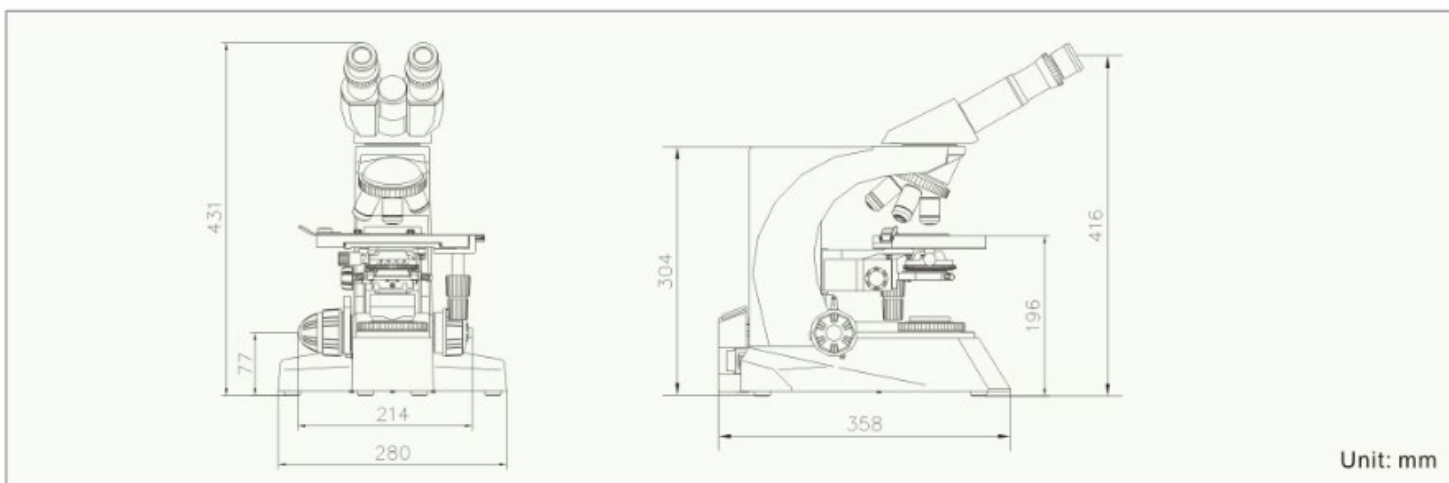
Biological Microscope

Model YR0231

Features:

- ✓ With Infinite optical system, kohler illumination, providing excellent optical quality and making image perfect.
- ✓ With low and forward position coaxial focus system, focusing knobs and brightness
- ✓ adjustable knob within reaching location, stable integral structure, reasonable ergonomic design, making operator feel more comfortable and effective.
- ✓ With Innovatory Optical and Structure Design Idea, YR0231 Laboratory Biological Microscope Makes Laboratory Work Enjoyable.

System Dimension Drawing



#Let'sgivemore

Thanks to your purchase, a donation will be made to a non-profit foundation that fights against breast cancer and helps most vulnerable communities.



All rights reserved © KALSTEIN France S. A. S.,
Optimum Business Center 450 Rue Baden Powell,
• 34000 Montpellier, France.
Tit: +33 467158849 / +33 680760710 / +33 663810023
<https://kalstein.eu>
KALSTEIN FRANCE, S.A. S



Biological Microscope

Model YR0231



Viewing Head



Comfortably Observing with Seidentopf Type Trinocular Head Inclined at 30°. Suitable for Every Observer with Wide Interpupillary Range 48-75mm.

Eyepiece



Larger Viewing Area with Extra Wide Field Eyepiece EW10×/22. Focus Control with Diopter Adjustable.

Nosepiece



Big Operating Space with Backward Quintuple Nosepiece.

Objective



Perfect Image with Infinite Plan Achromatic Objective.

Stage



Rectangle Double Layers Mechanical Stage 185×142mm, Moving Range 75×55mm. Comfortable Operation with Low Position Adjustable Knobs.

Condenser



With Swing Condenser N.A.0.9/0.25, Overcoming Illumination Asymmetry at Low Magnification Observation.

Field Diaphragm



With Aspherical Condenser and Kohler Illumination. Providing Enough, Even and High Contrast Illumination for Various Objective Observation.

Illuminator



External Illumination, Halogen Lamp 6V/30W, Brightness Adjustable. 24V/100W, LED For Optional.



#Letsgivemore ♥

Thanks to your purchase, a donation will be made to a non-profit foundation that fights against breast cancer and helps most vulnerable communities.



All rights reserved © KALSTEIN France S. A. S., Optimum Business Center 450 Rue Baden Powell, • 34000 Montpellier, France.
Tél: +33 467158849 / +33 680760710 / +33 663810023
<https://kalstein.eu>
KALSTEIN FRANCE, S.A. S



System Diagram



Viewing field of auxiliary objective is $\Phi 20$ when with the accessories



#Letsgivemore

Thanks to your purchase, a donation will be made to a non-profit foundation that fights against breast cancer and helps most vulnerable communities.



All rights reserved © KALSTEIN France S. A. S.,
Optimum Business Center 450 Rue Baden Powell,
• 34000 Montpellier, France.
Tél: +33 467158849 / +33 680760710/ +33 663810023
<https://kalstein.eu>
KALSTEIN FRANCE, S.A. S



Biological Microscope

Model YR0231



Optical System	Infinite Optical System	•	
Viewing Head	Seidentopf Trinocular Head Inclined at 30°, Interpupillary 48-75mm	•	
	Tilttable Binocular/ Trinocular Head	○	
Eyepiece	Extra Wide Field Eyepiece EW10X/22, Eyepiece Tube Diameter 30mm	•	
Nosepiece	Backward Quintuple Nosepiece	•	
	Backward Sextuple Nosepiece	○	
Objective	Infinite Plan Achromatic Objective 4X, 10X, 40X, 100X	•	
	Infinite Plan Achromatic Objective 20X, 60X	○	
Condenser	Swing Condenser N.A.0.9/0.25	•	
Focusing System	Coaxial Coarse and Fine Adjustment, Fine Division 0.001mm, Coarse Stroke 37.7mm per Rotation, Fine Stroke 0.1mm per Rotation, Moving Range 24mm	•	
Stage	Double Layers Mechanical Stage 185X142mm, Moving Range 75X55mm	•	
Kohler Illumination	External Illumination, Aspherical Collector, Halogen Lamp 6V/30W	•	
	External Illumination, Aspherical Collector, Halogen Lamp 24V/100W	○	
	3W LED Illumination	○	
	5W LED Illumination	○	
Temperature Control System	5W LED Illumination, Temperature controlling range: Room temperature to 50°C	○	
Accessories	Photo Attachment	○	
	Video Adapter	C Mount 1X	○
		C Mount 0.5X	○
	Polarization Attachment	○	
	Turret Phase Contrast Kit	○	
	Dark Field Attachment	Dark-field Condenser (Dry)	○
		Dark-field Condenser (Oil)	○
	Epi-Fluorescent Attachment FL-800	○	
	Epi-Fluorescent Attachment FL-LED	○	



#Letsgivemore

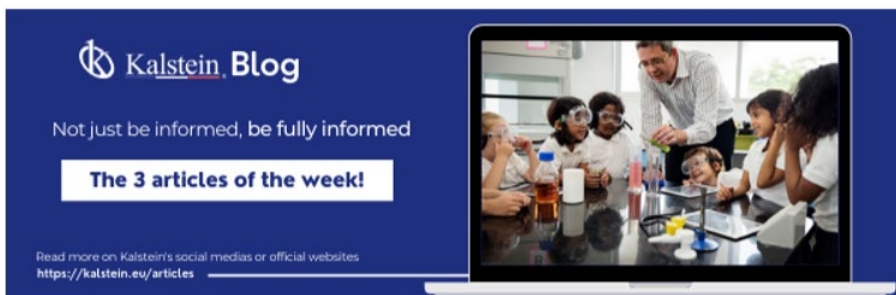
Thanks to your purchase, a donation will be made to a non-profit foundation that fights against breast cancer and helps most vulnerable communities.



All rights reserved © KALSTEIN France S. A. S.,
Optimum Business Center 450 Rue Baden Powell,
• 34000 Montpellier, France.
Tél: +33 467158849 / +33 680760710/ +33 663810023
<https://kalstein.eu>
KALSTEIN FRANCE, S.A. S



Articles Kalstein
(Social Networks and Official Websites)



Kalstein Blog
Not just be informed, be fully informed
The 3 articles of the week!
Read more on Kalstein's social medias or official websites
<https://kalstein.eu/articles>



1
Read this ARTICLE NOW
How does the climate affect your microscope?
A microscope is an instrument that allows observing and measuring objects that are too small to be seen with the naked eye. This is achieved through a complex system of lenses and mirrors, which form...

Kalstein Blog
Article of the week:
How does the climate affect your microscope?
Read more on Kalstein's social medias or official websites
<https://kalstein.eu/articles>



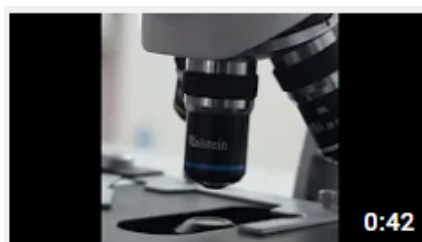
2
Read this ARTICLE NOW
What is the importance of the laboratory refrigerator?
A refrigerator in a laboratory is one of the most important equipment. It is used to maintain, in a controlled environment (refrigerated space), various fluids and substances...

Kalstein Blog
Article of the week:
What is the importance of the laboratory refrigerator?
Read more on Kalstein's social medias or official websites
<https://kalstein.eu/articles>

Kalstein Training Videos
(Youtube Channel and Official Websites)



Kalstein France - Jacinto Convit Foundation / Allianc...
23 views • 3 years ago



Kalstein's Microscopes
445 views • 1 week ago



MONTEPELLIER - FRANCE
SEDE
Optimum Business Center,
450 Rue Baden Powell,
34000 Montpellier - France.

Fax: +33 (0) 4 67 15 88 49
Tif: +33 (0) 6 80 76 07 10
sales@kalstein.eu

<https://kalstein.eu/>
<https://www.kalstein.fr/>

Official Websites for Latin America.

